

SERVICE
MANUAL

1150D



marantz

model 1150D

Console Stereo Amplifier

MARANTZ DESIGN AND SERVICE

Using superior design and selected high grade components, MARANTZ company has created the ultimate in stereo sound.

Only **original MARANTZ parts** can insure that your MARANTZ product will continue to perform to the specifications for which it is famous.

Parts for your MARANTZ equipment are generally available to our National Marantz Subsidiary or Agent.

ORDERING PARTS:

Parts can be ordered either by mail or by telex. In both cases, correct part number has to be specified. If you order by mail, fulfil MARANTZ order forms.

The following information must be supplied to eliminate delays in processing your order:

1. Complete address
2. Complete part numbers and quantities required
3. Description of parts
4. Model number for which part is required
5. Way of shipment
6. Signature: any order form or telex must be signed otherwise such part order will be considered as null and void.

PARTS ORDERING

Parts may be ordered at the following addresses:

AUSTRIA
HORNYPHON
Vertriebsgesellschaft GmbH
Wienerbergstrasse 1
A-1101 Wien
Austria
Telex: 132332

AUSTRALIA
MARANTZ AUSTRALIA
PTY., Ltd.
19 Chard Road
Brookvale, NSW 2100
Australia
Telex: 24121

BELGIUM
SVD DIVISION MARANTZ
Industrialaan 1
1720 Groot-Bijgaarden
Belgium
Telex: 24466

CHILE
MARANTZ
DIVISION OF PHILIPS S.A.
Av. Santa Maria, 0750
Casilla 2687
Santiago
Telex: 240239

DENMARK
MARANTZ
DIVISION OF PHILIPS
SERVICE A/S
Prags Boulevard 80
Postbox 1919
DK-2300 København S
Denmark
Telex: 31201

IRE
MARANTZ IRELAND Ltd.
Newstead
Glonkeagh
Dublin 4
Telex: 26200

FINLAND
MARANTZ
DIVISION OF OY PHILIPS AB
Kaivokatu 8
00100 Helsinki
Finland
Telex: 124811

FRANCE
MARANTZ FRANCE
4 Rue Bernard Palissy
92600 Asnières
France
Telex: 611651

GERMANY
MARANTZ GERMANY GmbH
Max-Planck-Strasse 22
6072 Dreieich 1
Germany
Telex: 525821

THE NETHERLANDS
MARANTZ
Da Limiet 3
4131 NR Vianen
The Netherlands
Telex: 47679

NORWAY
MARANTZ
DIVISION OF PHILIPS A/S
Sandstuvlien 40
Oslo 6
Norway
Telex: 72840

GREAT BRITAIN
MARANTZ AUDIO U.K. Ltd
Unit 15/16
Saxon Way Industrial Estate
Moor Lane
Harmondsworth UB7 0LW
Great Britain
Telex: 935196

GREECE
ADAMCO S.A.
P.O. Box 21025
Hippocrates Street 188
Athens 11410
Greece
Telex: 216795

ITALY
MARANTZ ITALIANA S.p.A.
Via Monte Napoleone 10
20121 Milano
Italia

JAPAN
MARANTZ JAPAN, Inc.
35-1, 7-chome, Sagami-cho
Sagamihara-shi, Kanagawa
Japan

KUWAIT
AL ALAMIAH ELECTRONICS
Ussama Building
Fahd al Saleem Street
P.O. Box 23781
Safat-Kuwait
Telex: 22694

SAUDI ARABIA
AL ALAMIAH ELECTRONICS
P.O. Box 5954
University Street
Riyadh 11432
Saudi Arabia
Telex: 201530

SOUTH AFRICA
MARANTZ
DIVISION OF PHILIPS S.A.
Rainer House
Ova Street, 10
Doomfontein
Johannesburg
Telex: 483456

SPAIN
PHONO S.A.
Ignacio Iglesias 10
Badelona (Barcelona)
Spain
Telex: 59355

SWEDEN
MARANTZ
DIVISION OF PHILIPS
Försäljning AB
Tegeluddsvägen 1
S-115 84 Stockholm
Sweden
Telex: 14060

SWITZERLAND
DYNAVOX ELECTRONICS
Route de Villars 105
1701 Fribourg
Switzerland
Telex: 942377

TURKEY
DOGRUOL Ltd.
I.M.C.
6 Blok N°6310
Unkapani
Istanbul
Turkey
Telex: 22085

MALTA
CACHIA & GALEA
Republic Street, 68D
Valletta
Telex: 1682

U.S.A.
MARANTZ COMPANY, Inc.
National Service Department
P.O. Box 577
Chatsworth, CA 91311
U.S.A.

TECHNICAL ASSISTANCE

Should you require any other technical support, do not hesitate to contact the Technical Department of

MARANTZ EUROPE & Co.

Avenue Louise 326 - Bte. 32

B-1050 Brussels

Belgium

Telephone: (02) 6407830 (10 l)

Telex: 26602

Fax.: (02) 649.29.20

All of the above locations are fully equipped to take care of your total service needs. Because various countries have differing configuration requirements, it is necessary that you contact the service facility in your particular country. In the event that there is no service location listed for your country, please, contact the nearest facility for the necessary assistance.

In case of difficulties, do not hesitate to contact the Technical Department at abovementioned address.

marantz®

TABLE OF CONTENTS

SECTION	PAGE
Introduction	1
P.W. Board	1
Power Amplifier Adjustment	1
Power Supply Adjustment	1
Dolby Alignment Procedures	2
Test Equipment Required for Servicing	3
Technical Specifications (for U.S.A. Model)	27
Parts List	28
Service Information for European Model	38
Technical Specifications (for European Model)	38

LIST OF ILLUSTRATIONS

FIGURE	PAGE
1. AC Power Control Box Simplified Schematic	3
2. Amplifier Output Load Box Simplified Schematic	4
3. Front Panel Adjustment and Component Locations	7
4. Main Chassis Component Locations (Top View)	7
5. Rear Panel Adjustment and Component Locations	8
6. Main Chassis Component Locations (Bottom View)	8
7. Dolby Unit (P600) Schematic Diagram	9
8. Dolby Unit (P600) Component Locations	9
9. 400 Hz Tone and Meter Driver (PL01) Schematic Diagram	10
10. 400 Hz Tone and Meter Driver (PL01) Component Locations	10
11. Selector SW(PS01) Schematic Diagram	11
12. Selector SW(PS01) Component Locations	11
13. Tape IN, OUT and Din Socket (PV01) Schematic Diagram	11
14. Tape IN, OUT and Din Socket (PV01) Component Location	11
15. EQ Amplifier (P400) Schematic Diagram	12
16. EQ Amplifier (P400) Component Locations	12
17. Buffer Amplifier (PD01) Schematic Diagram	13
18. Buffer Amplifier (PD01) Component Locations	13
19. Tone Amplifier (PE01) Schematic Diagram	14
20. Tone Amplifier (PE01) Component Locations	14
21. Filter Assembly (PH01) Schematic Diagram	15
22. Filter Assembly (PH01) Component Locations	15
23. Tone Control Volume (PF01) Schematic Diagram	16
24. Tone Control Volume (PF01) Component Locations	16
25. Main Amplifier (P700) Schematic Diagram	17
26. Main Amplifier (P700) Component Locations	17
27. Relay (PN01) Schematic Diagram	18
28. Relay (PN01) Component Locations	18
29. Power Supply (P800) Schematic Diagram	19
30. Power Supply (P800) Component Locations	19
31. Functional Block Diagram	20
32. Schematic Diagram for U.S.A. Model	22
33. Exploded Mechanical Diagram	24
34. Packing	26
35. Rear Panel Adjustments and Facilities Locations for European Model	40
36. Main Chassis Component Locations (Bottom View) for European Model	40
37. Voltage Conversion Chart	41
38. Schematic Diagram for European Model	42

INTRODUCTION

This service manual was prepared for use by Authorized Warranty Stations and contains service information for Marantz Model 1150D Stereophonic Receiver.

Servicing information and voltage data included in this manual are intended for use by the knowledgeable and experienced technician only. All instructions should be read carefully. No attempt should be made to proceed without a good understanding of the operation of the receiver.

The parts list furnishes information by which replacement parts may be ordered from the Marantz Company. A simple description is included for parts which can usually be obtained through local suppliers.

1. P.W. Board

As can be seen from the circuit diagram, the chassis of Model 1150D consists of the following units. Each unit mounted on a printed circuit board is described within the square enclosed by a bold dotted line on the circuit diagram.

1. Dolby Unit	Mounted on P.W. Board,	P600
2. 400 Hz Tone and Meter Driver	Mounted on P.W. Board,	PL01
3. Selector SW	Mounted on P.W. Board,	PS01
4. Tape IN, OUT and DIN Socket	Mounted on P.W. Board,	PV01
5. EQ Amplifier	Mounted on P.W. Board,	P400
6. Buffer Amplifier	Mounted on P.W. Board,	PD01
7. Tone Amplifier	Mounted on P.W. Board,	PE01
8. Filter Assembly	Mounted on P.W. Board,	PH01
9. Tone Control Volume	Mounted on P.W. Board,	PF01
10. Main Amplifier	Mounted on P.W. Board,	P700
11. Relay	Mounted on P.W. Board,	PN01
12. Power Supply	Mounted on P.W. Board,	P800

2. POWER AMPLIFIER ADJUSTMENT

2.1 Adjustment of Idling current

Connect VTVM between left channel J701 and J702. Adjust R742 until the meter reads 10 mV. Similarly, connect VTVM between right channel J701 and J702 and adjust R742 until the meter reads 10 mV.

2.2 DC-OFFSET adjustment

Connect VTVM to JN04 and JN10 (or ground) and adjust left channel R741 until the meter indication reaches 0 mV (± 5 mV). Similarly, connect VTVM to JN05 and JN10 (or ground) and adjust right channel R741 until the meter indication reaches 0 mV (± 5 mV).

3. POWER SUPPLY ADJUSTMENT

Connect a voltmeter between J805 and J810. Adjust R815 until meter indicates 43 VDC. Similarly connect a voltmeter between J816 and J810. Adjust R806 until meter indicates -43 VDC.

4. DOLBY ALIGNMENT PROCEDURES

An attachment plug is required to adjust the Dolby unit. Before beginning the adjustment, set the Selector Switch of the Model 1150D to AUX and feed a 5 kHz sine wave signal into the AUX input.

1.
 - a. Set the Dolby Switch to REC I.
 - b. Set the fixed semiresistor R654 so that the source voltage from FET (H612) reaches a maximum (+).
 - c. Short the terminals of J612 and J614 to the ground.
 - d. Apply a 5 kHz sine wave so that the reading at the terminal of J606 becomes 17.5 mV.
 - e. At this time, record the level of the output signal at the TAPE OUT.
 - f. With the ground of J612 removed, adjust the fixed semiresistor R660 so that the output level at the TAPE OUT rises 10 ± 0.25 dB.
 - g. At this time, again record the level of the output at the TAPE OUT.
 - h. With the ground of J614 removed, adjust the fixed semiresistor R654 so that the signal falls 2 ± 0.25 dB.
 - i. Again ground J614, and after checking the procedure in step f., remove the ground from J614.
 - j. Repeat the above adjustment for the other channel.
2.
 - a. Set the Dolby Switch to REC II.
 - b. Short the terminals of J612 and J614 to the ground.
 - c. Apply a 5 kHz sine wave so that a voltage of 44 mV results at the terminal of J606.
 - d. With the ground of J612 removed, check that the output level at TAPE OUT falls 10 ± 0.5 dB.
 - e. Remove the ground from the terminals of J612 and J614.
 - f. Check whether the output voltage at the TAPE OUT is 17.5 mV (± 0.5 dB).
3.
 - a. Set the Dolby Switch to PLAYBACK.
 - b. Set the fixed semiresistor R653 so that the source voltage from FET (H611) reaches a maximum (+).
 - c. Short the terminals of J611 and J613 to the ground.
 - d. Apply a 5 kHz sine wave so that the voltage at the terminal of J605 becomes 44 mV.
 - e. At this time, record the level reading of the Dolby Socket Pin No. 5.
 - f. With the ground of J611 removed, adjust the fixed semiresistor R659 so that the level of Pin No. 5 falls 10 ± 0.25 dB.
 - g. At this time, again record the level reading of Pin No. 5.
 - h. With the ground of J613 removed, adjust the fixed semiresistor R653 so that the level rises 2 ± 0.25 dB.
 - i. Again ground J613, and after checking the procedure in step f., remove the ground from J613.
 - j. Repeat the above adjustment for the other channel.

400 Hz TONE AND METER CALIBRATION

In order to adjust the Dolby level, set the Selector and Dolby NR Switch to AUX and PLAYBACK respectively, and use the TAPE OUT jack as the output jack. In addition, set the REC LEVEL and PLAY CAL. VR for Maximum F, C, and W.

When the 400 Hz TONE Push Switch is in the IN position, a 400 Hz sine wave will be produced, so that this output voltage should be adjusted to 580 mV at fixed semiresistor R611.

After checking that this is 580 mV when the TAPE OUT for both L and R channels and the Dolby NR Switch are in positions other than OFF, return the 400 Hz Tone Switch to the OFF position.

Next, apply a 400 Hz sine wave signal to the AUX INPUT, and adjust the input so that the voltage at the Dolby Socket Pin No. 5 (6) becomes 580 mV. At this time, adjust the fixed semi-resistor R628 so that the Dolby Level Meter indicates Dolby Level "0". Change the Meter Switch setting and repeat the adjustment procedures for the other channel.

ALIGNMENT PROCEDURES FOR DOLBY FM PRESET LEVEL CONTROLS

Set the Dolby NR Switch to Dolby FM and the Selector Switch to Tuner. Apply a 400 Hz, 580 mV sine wave signal to the Tuner Input. With the fixed semi-resistor for Dolby FM Preset Level, found on the rear panel, adjust so that the Dolby Level Meter indicates Dolby Level "0". Change the Meter Switch setting and repeat the adjustment procedures for the other channel.

5. TEST EQUIPMENT REQUIRED FOR SERVICING

Table 1 lists the test equipment required for servicing the Model 1150D Stereo Console Amplifier. The wattmeter, AC voltmeter, and variable autotransformer may be assembled as a test fixture as shown schematically in Figure 1. The load resistors and AC ammeter may be assembled into a second test fixture as shown in Figure 2.

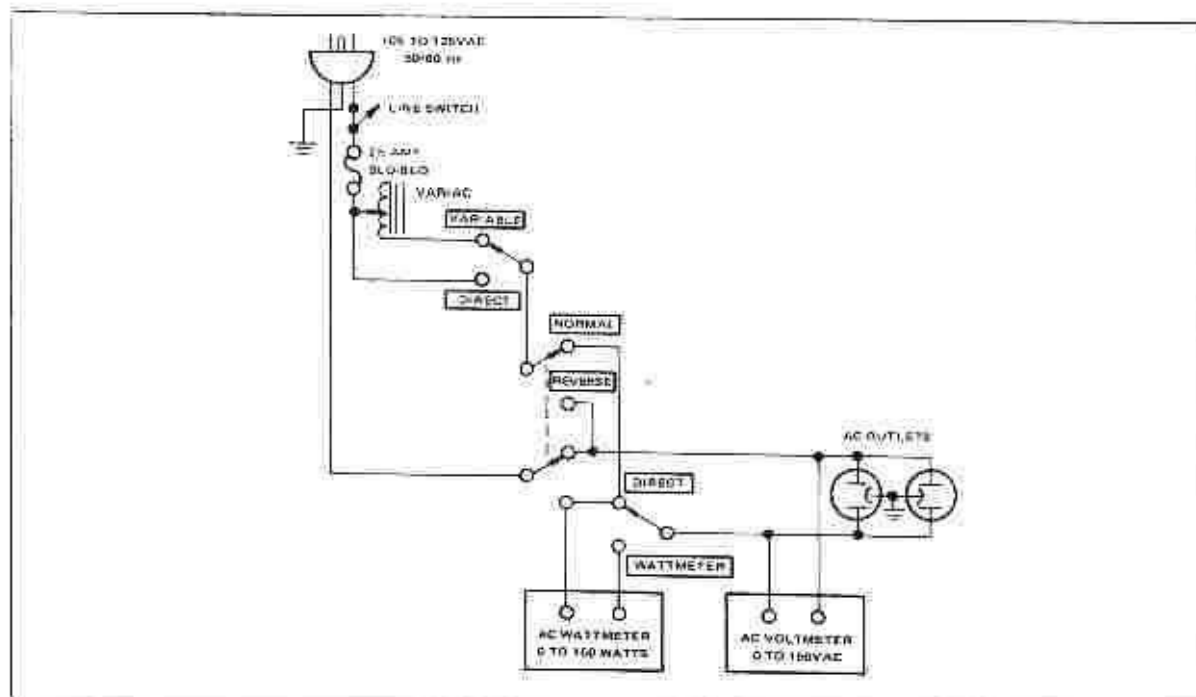


Figure 1. AC Power Control Box Simplified Schematic

Table 1. Test Equipment Required for Servicing

Item	Manufacturer and Model No. (or equivalent)	Function
Distortion Analyzer	Hewlett Packard, Model 331A or 333A	Measures distortion and voltage of amplifier output.
Audio Oscillator	Weston Model CVO-100P (NOTE: Less than 0.02 percent residual distortion is required.)	Sinewave and squarewave signal source.
Oscilloscope	Tektronix, Model 503, Data, Model 555	Waveform analysis and troubleshooting.
VTVM	RCA Senior Volt-Ohmyst, Model WV-98C	Voltage and resistance measurements.
AC Wattmeter	Simpson, Model 390	Monitors primary power consumption of amplifier.
AC Ammeter (0 to 10 amps)	Commercial Grade	Monitors amplifier output under short circuit condition.
Line Voltmeter (0 to 150 vac)	Commercial Grade	Monitors potential of primary power to amplifier.
Variable Autotransformer (0 to 140 vac, 10 amps)	Powerstat, Model 116B	Adjusts level of primary power to amplifier.
Shorting Plug	Use phono plug with 600 ohms across center pin and shell.	Shorts amplifier input to eliminate noise pickup.
Power Supply Bleeder Resistor (10 ohms at 1W)	Commercial Grade	Discharges power supply filter capacitors prior to disassembly or resistance measurements.
Output Load Resistor (8 ±0.5%, 250W)	Commercial Grade	Provides 8-ohm load for amplifier output termination.
Output Load Resistor (4 ±5%, 250W)	Commercial Grade	Provides 4-ohm load for amplifier output termination.
Output Load Capacitor (0.5 mfd)	Mylar	Provides capacitive load for instability checks.
AC Power Control Box	Optional Item. Fabricate in accordance with Figure 1.	Monitors and controls primary power for amplifier.
Amplifier Output Load Box	Optional Item. Fabricate in accordance with Figure 2.	Provides various amplifier loads and can monitor shorted output.

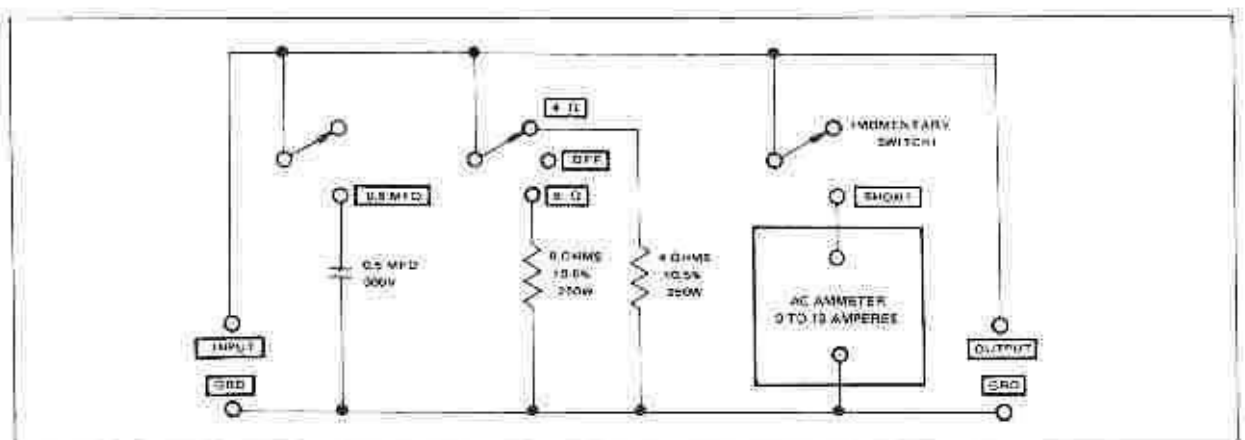


Figure 2. Amplifier Output Load Box Simplified Schematic

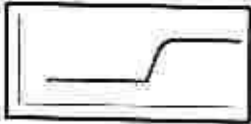
6. EXPLANATION OF THE DOLBY PROCESSING CHART

This chart shows the condition of the signals available at the speakers (SPKRS) and at the TAPE MONITOR OUT terminals as a function of different control settings.

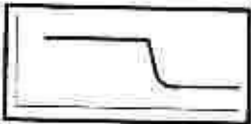
To understand the chart refer to the symbols below:



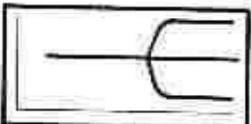
Represents a signal which has not been applied to either Record or Playback Dolby circuits. The relative amplitudes of all audio frequencies remain unaltered at all levels.



Represents a signal which has been processed by the Dolby Record circuit. The relative amplitude of the high frequencies is increased at low signal levels.



Represents a signal which has been processed by the Dolby Playback circuit. The relative amplitude of the high frequencies is decreased at low signal levels.



Represents a signal which has been processed by both the Record and the Playback Dolby circuits.

These circuits are complementary. Therefore, relative amplitudes of all audio frequencies are restored to their original values.

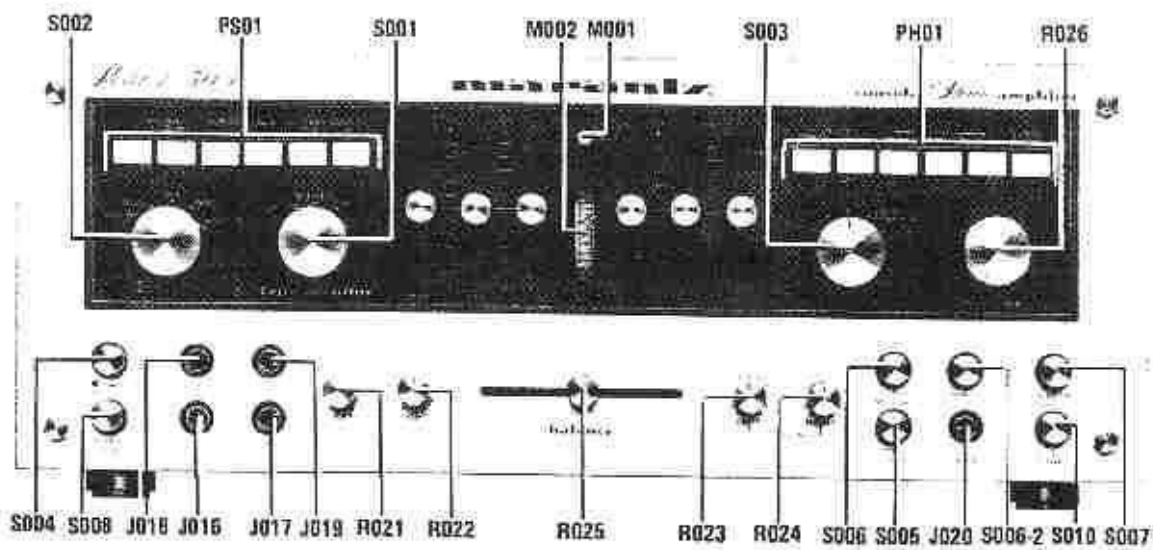


Figure 3. Front Panel Adjustment and Component Locations

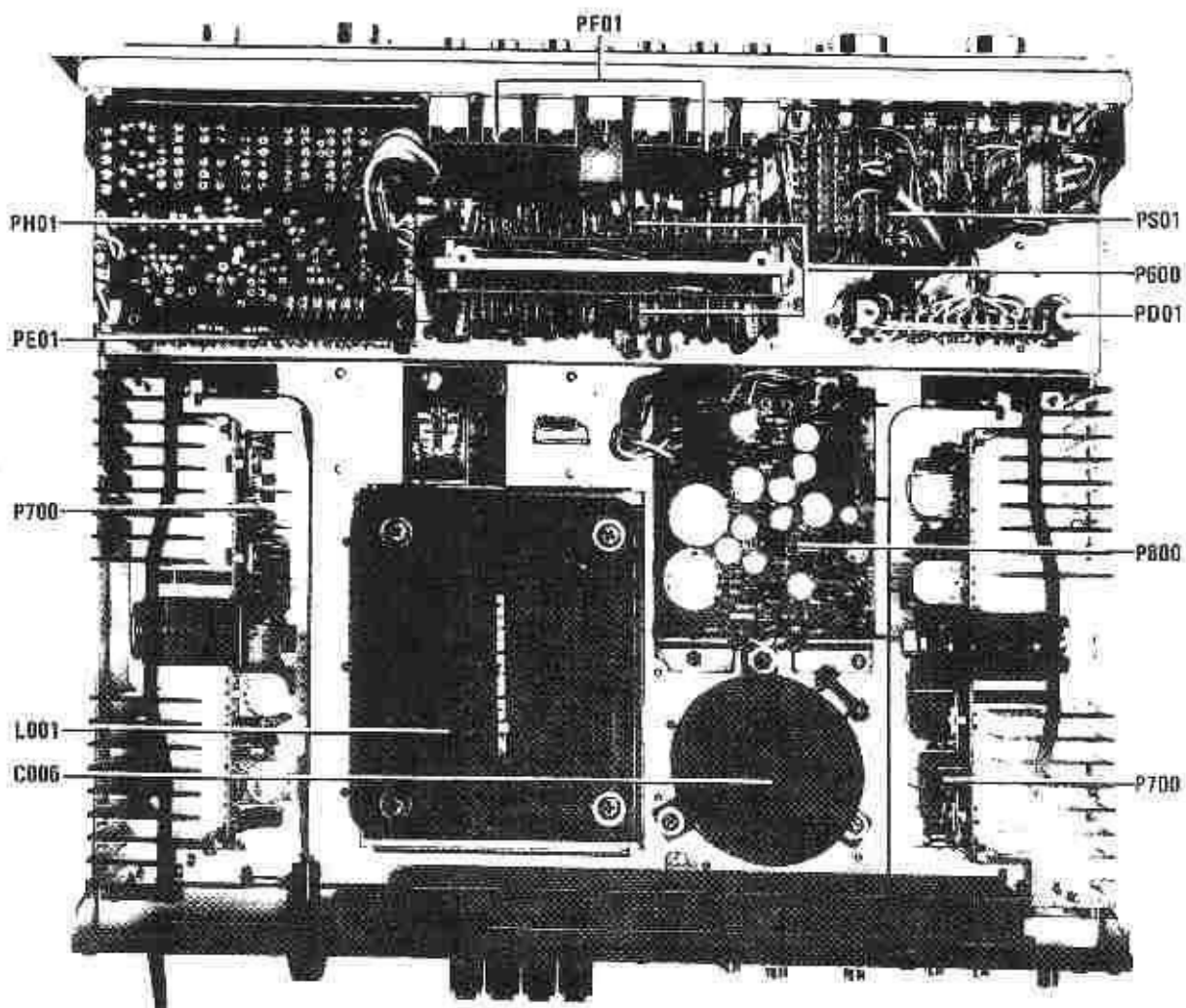


Figure 4. Main Chassis Component Locations (Top View)

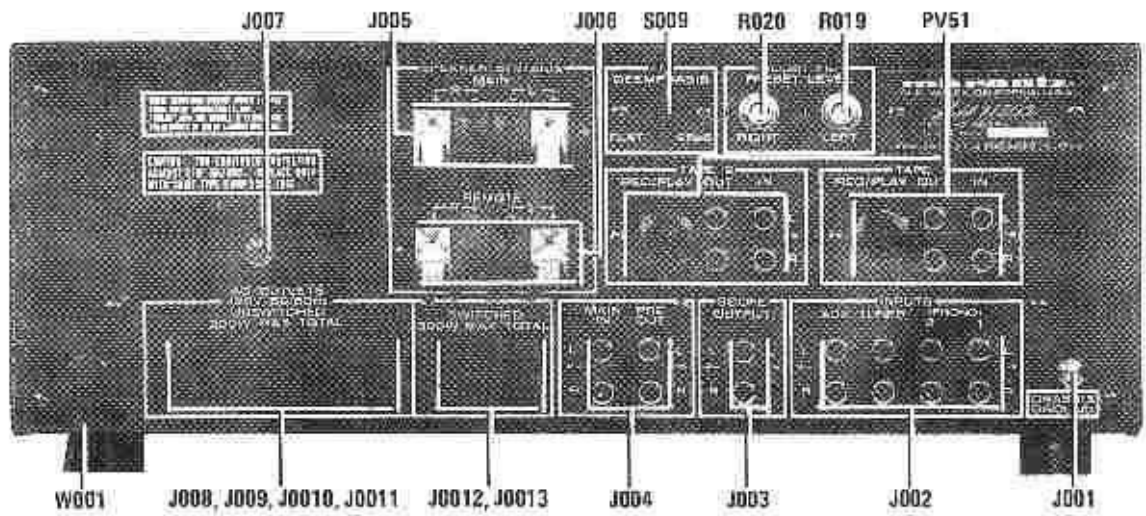


Figure 5. Rear Panel Adjustment and Component Locations

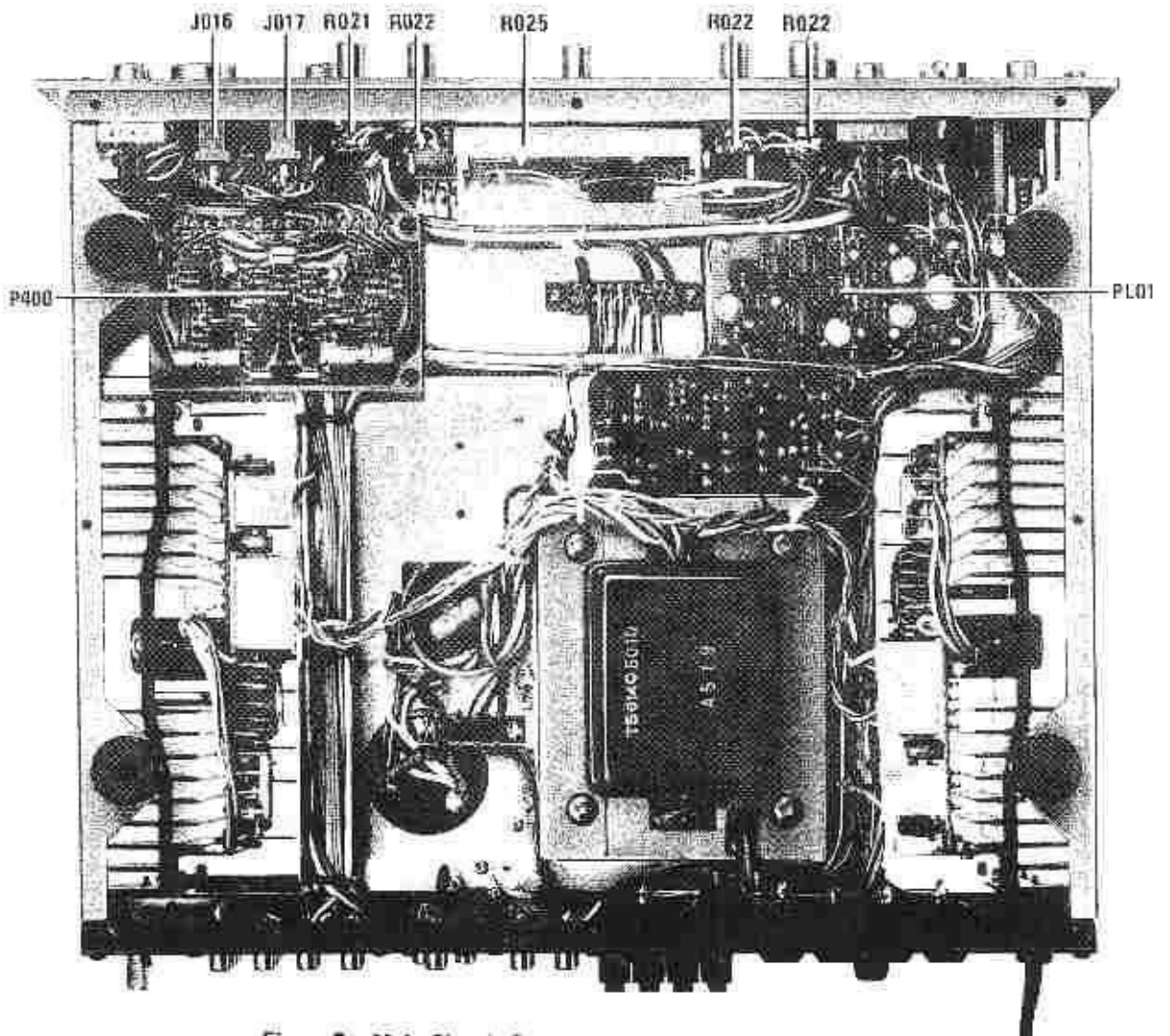


Figure 6. Main Chassis Component Locations (Bottom View)

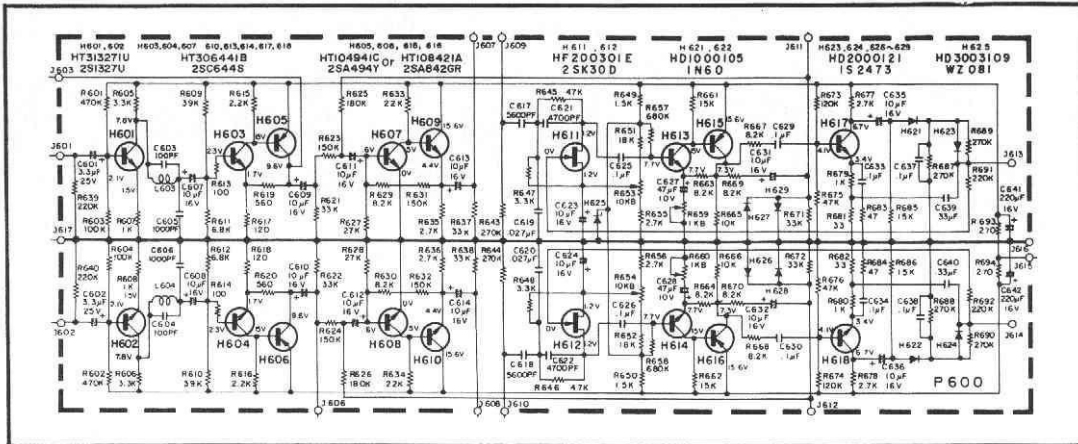


Figure 7. Dolby Unit (P600) Schematic Diagram

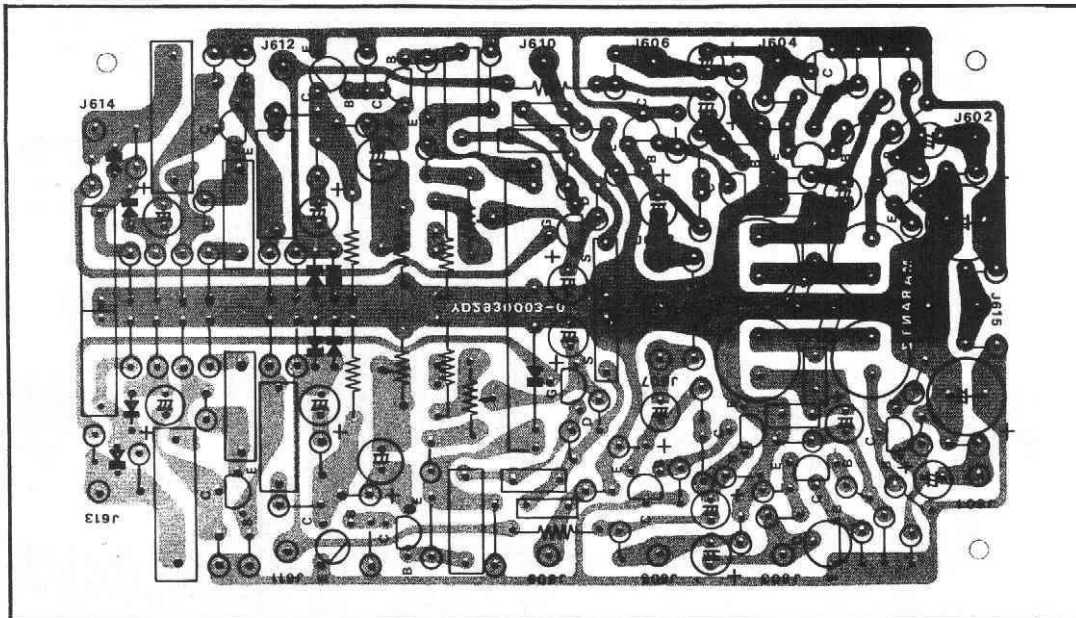


Figure 8. Dolby Unit (P600) Component Locations

m 3777

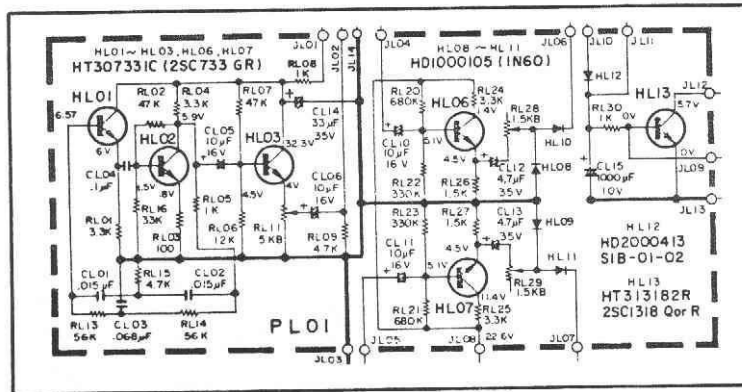


Figure 9. 400 Hz Tone and Meter Driver (PL01) Schematic Diagram

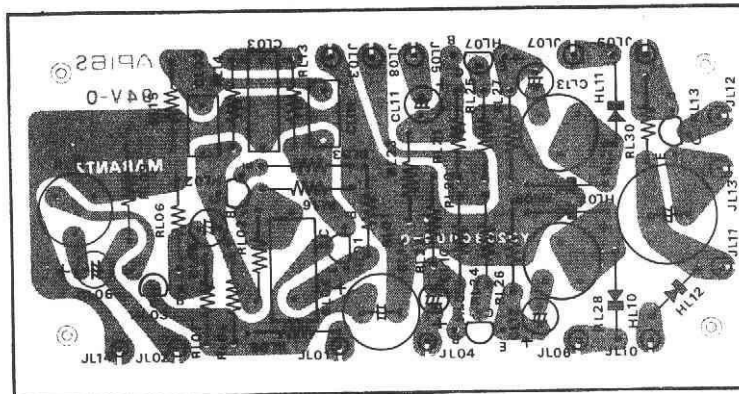


Figure 10. 400 Hz Tone and Meter Driver (PL01) Component Locations

3778

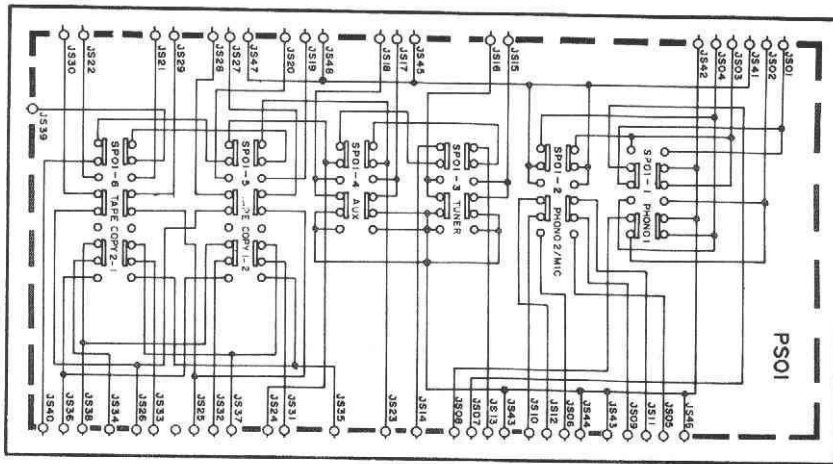


Figure 11. Selector SW(PS01) Schematic Diagram

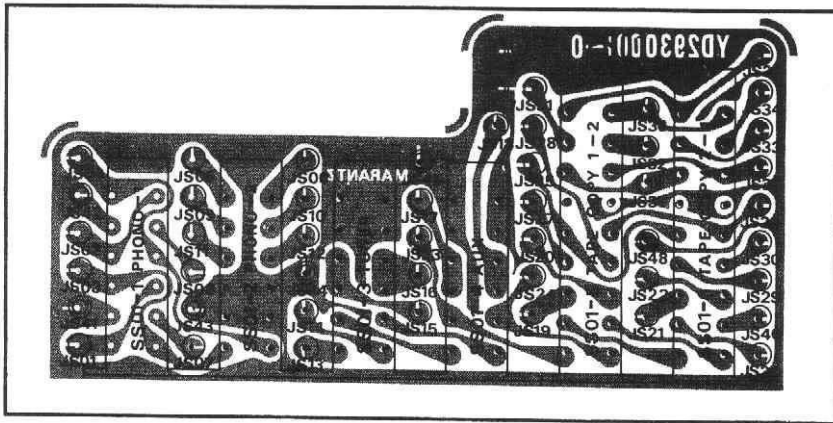


Figure 12. Selector SW(PS01) Component Locations

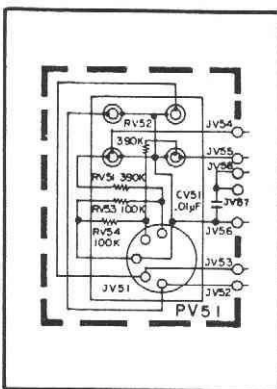


Figure 13. Tape IN, OUT and Din Socket (PV01) Schematic Diagram

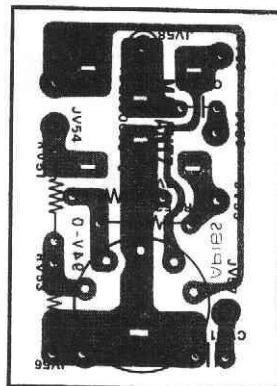


Figure 14. Tape IN, OUT and Din Socket (PV01) Component Locations

m 3779

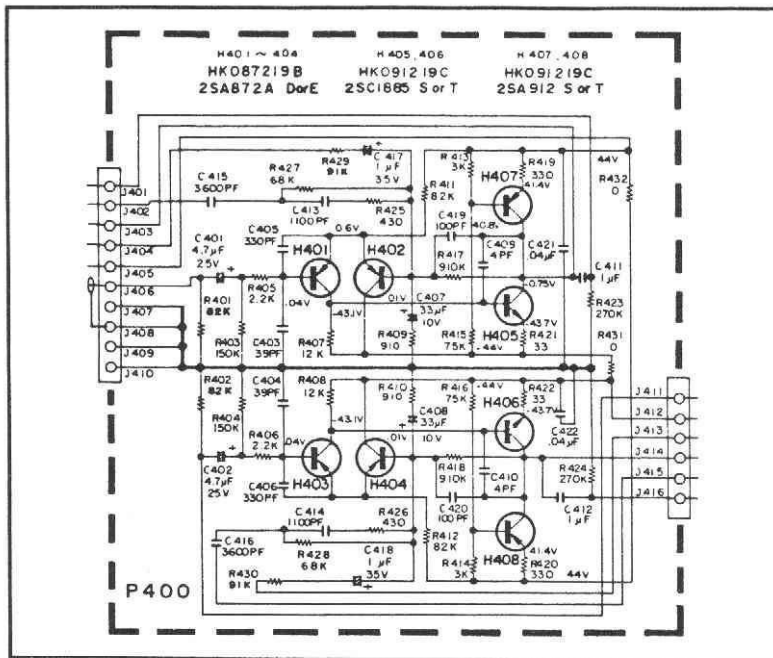


Figure 15. EQ Amplifier (P400) Schematic Diagram

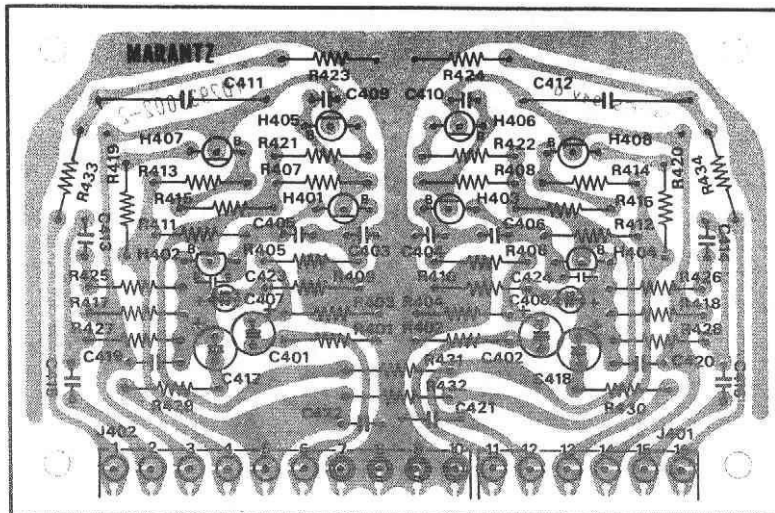


Figure 16. EQ Amplifier (P400) Component Locations

m 3780

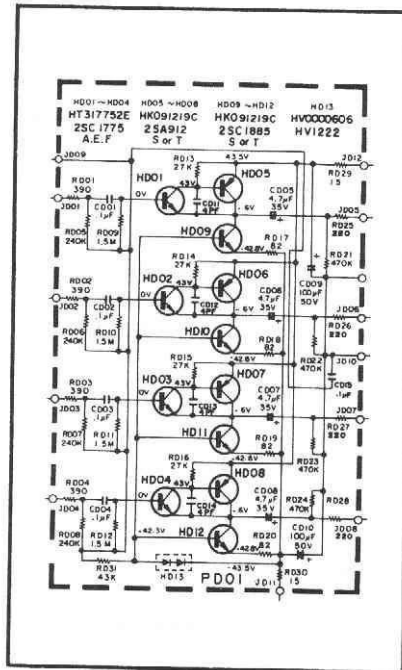


Figure 17. Buffer Amplifier (PD01) Schematic Diagram

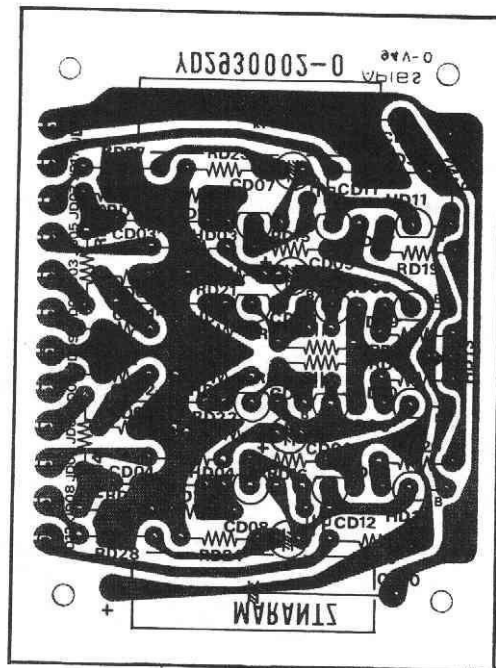


Figure 18. Buffer Amplifier (PD01) Component Locations

m 3781

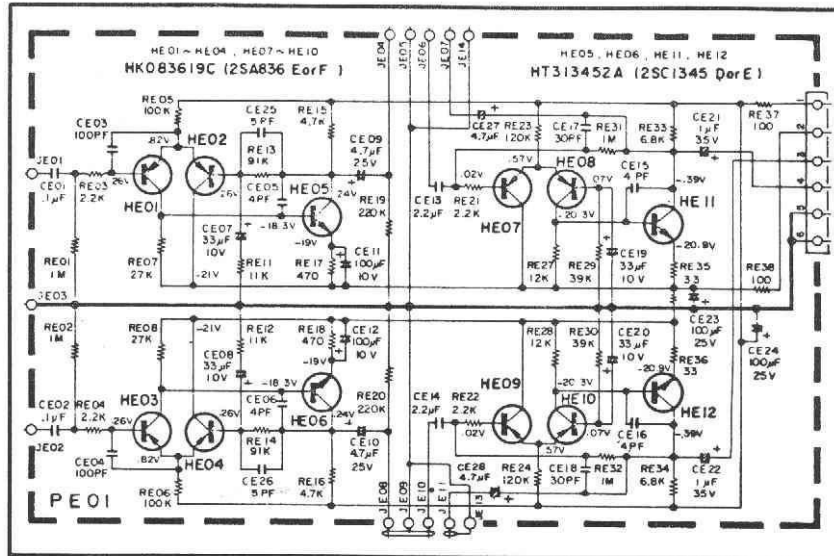


Figure 19. Tone Amplifier (PE01) Schematic Diagram

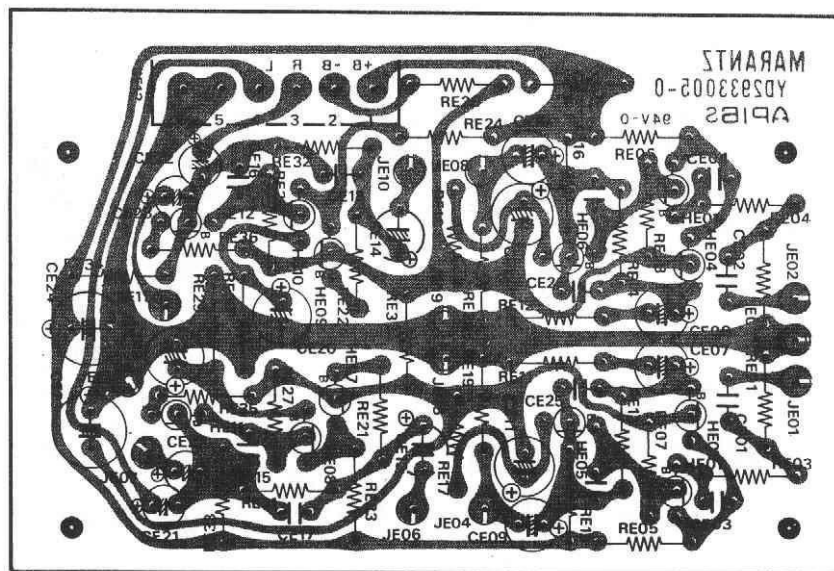


Figure 20. Tone Amplifier (PE01) Component Locations

m 3782

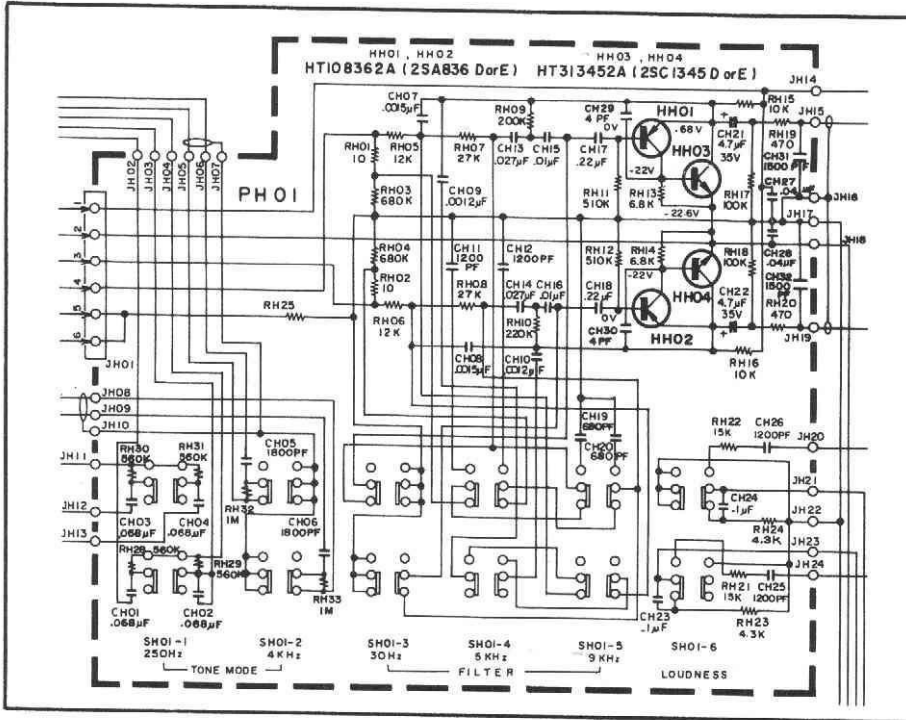


Figure 21. Filter Assembly (PH01) Schematic Diagram

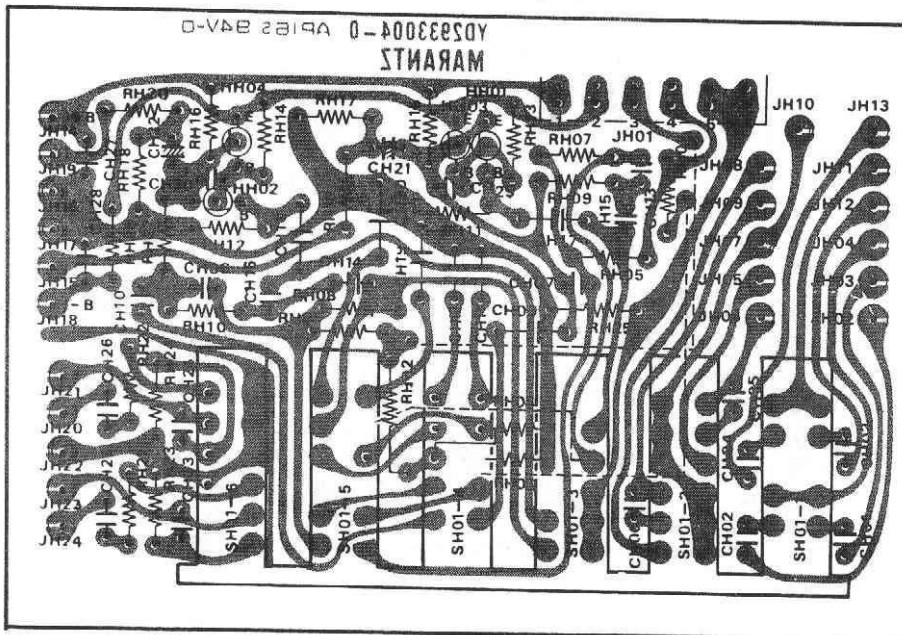


Figure 22. Filter Assembly (PH01) Component Locations

m 3783

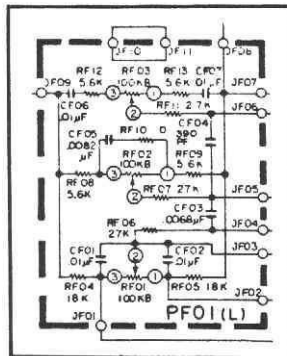


Figure 23. Tone Control Volume (PF01) Schematic Diagram

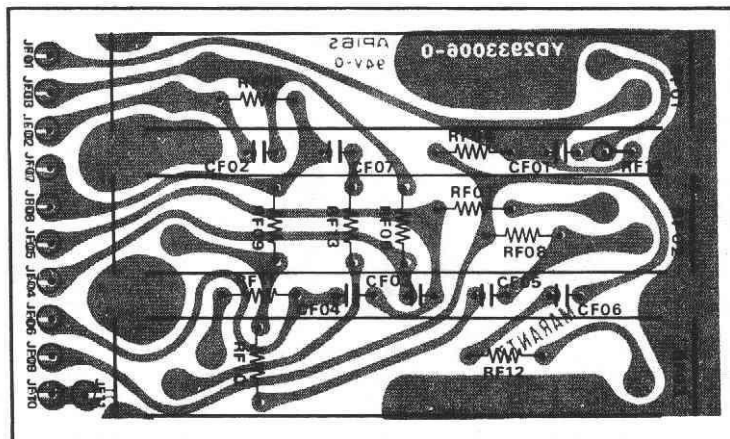


Figure 24. Tone Control Volume (PF01) Component Locations

m 3784

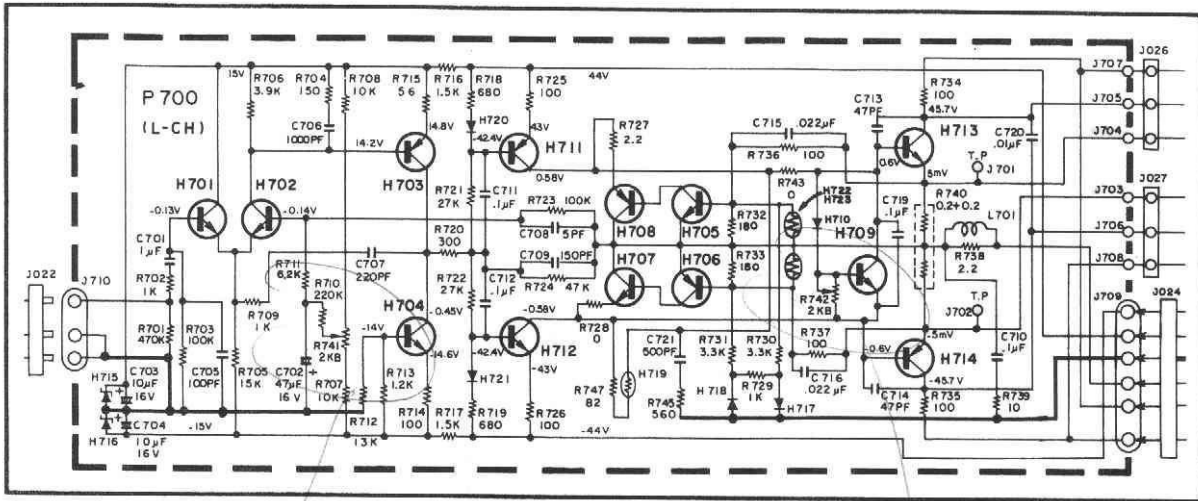


Figure 25. Main Amplifier (P700) Schematic Diagram

WATER

Bias

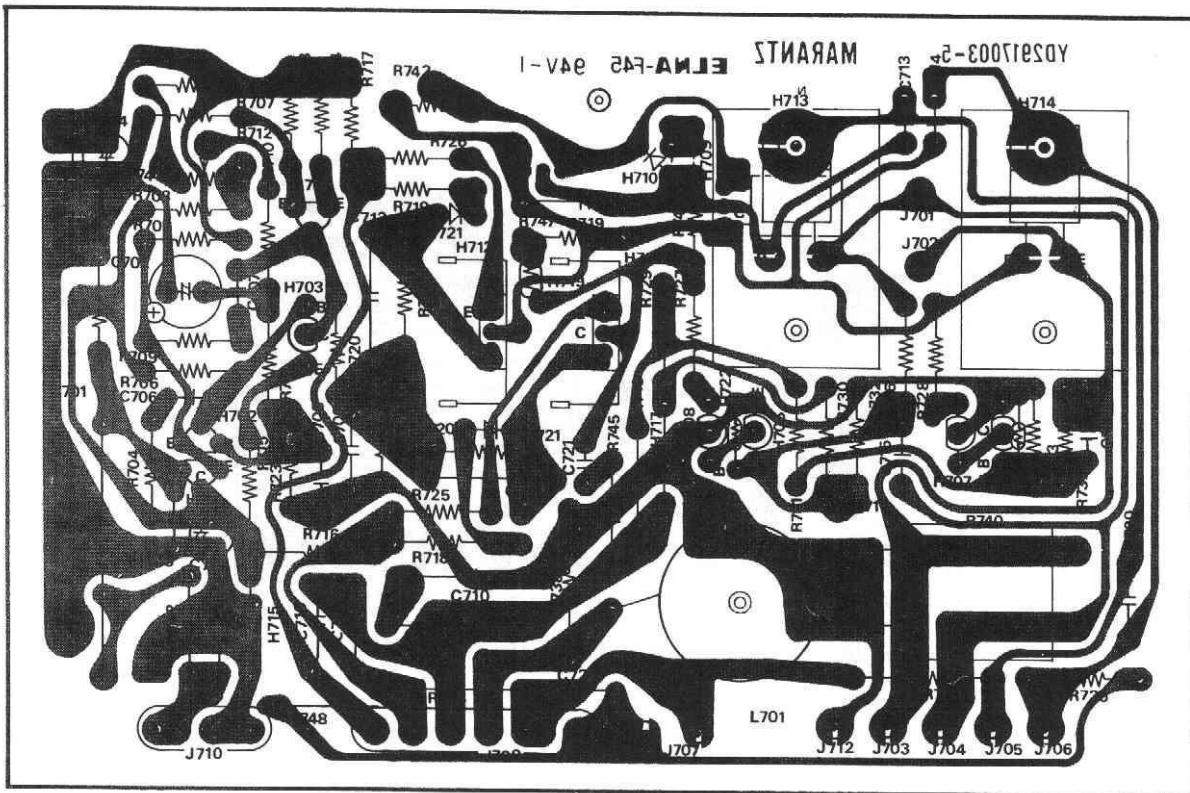


Figure 26. Main Amplifier (P700) Component Locations

m 3785

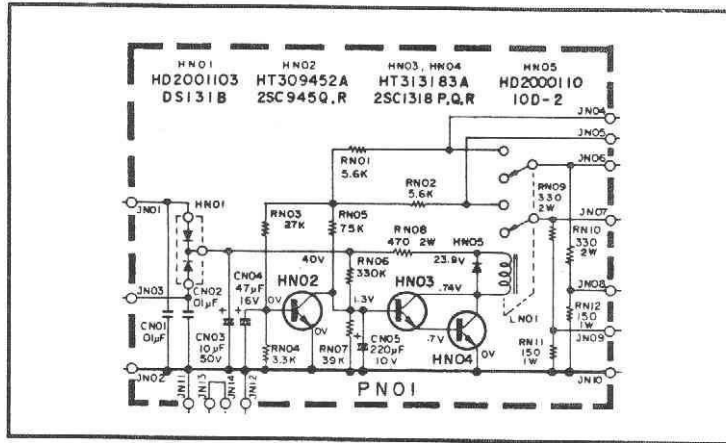


Figure 27. Relay (PN01) Schematic Diagram

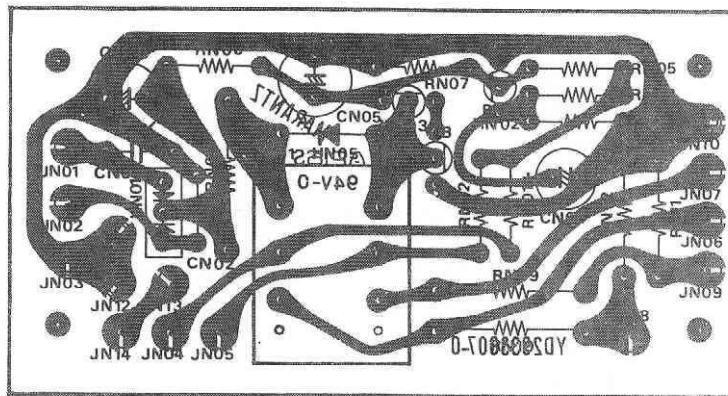


Figure 28. Relay (PN01) Component Locations

m 3786

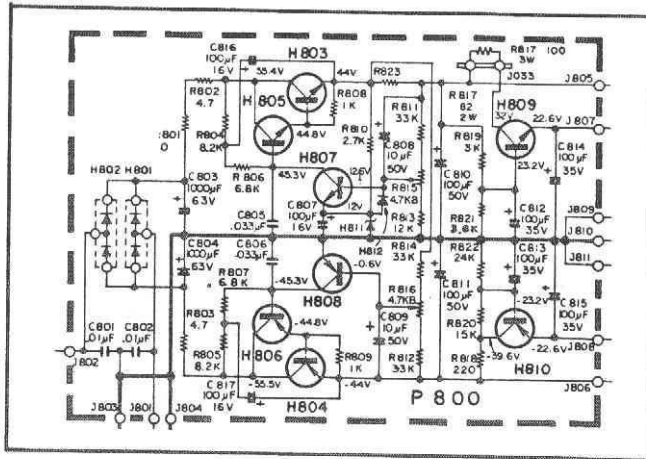


Figure 29. Power Supply (P800) Schematic Diagram

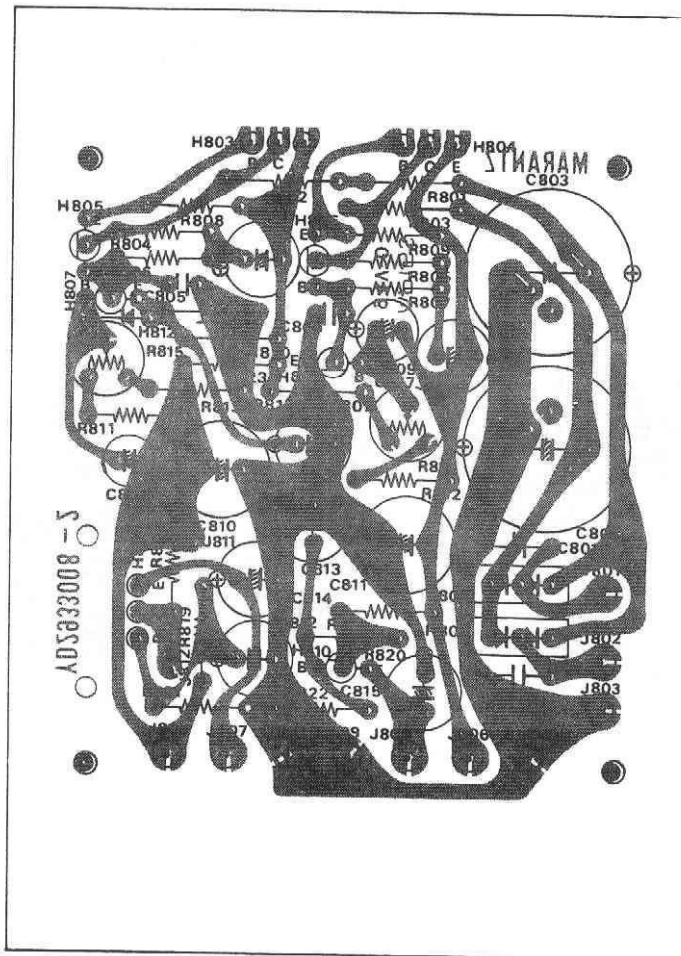
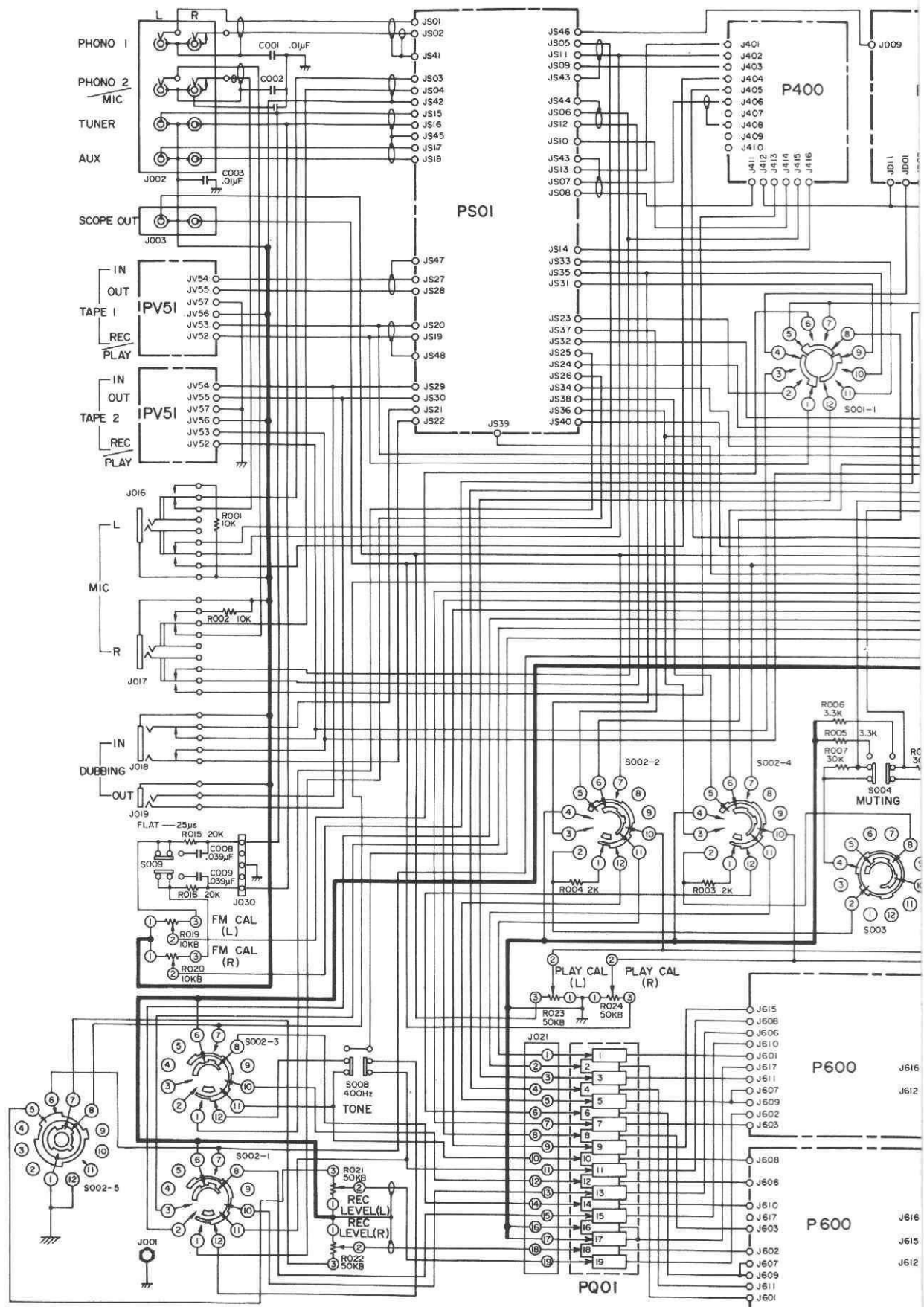


Figure 30. Power Supply (P800) Component Locations

787cm



m 3788

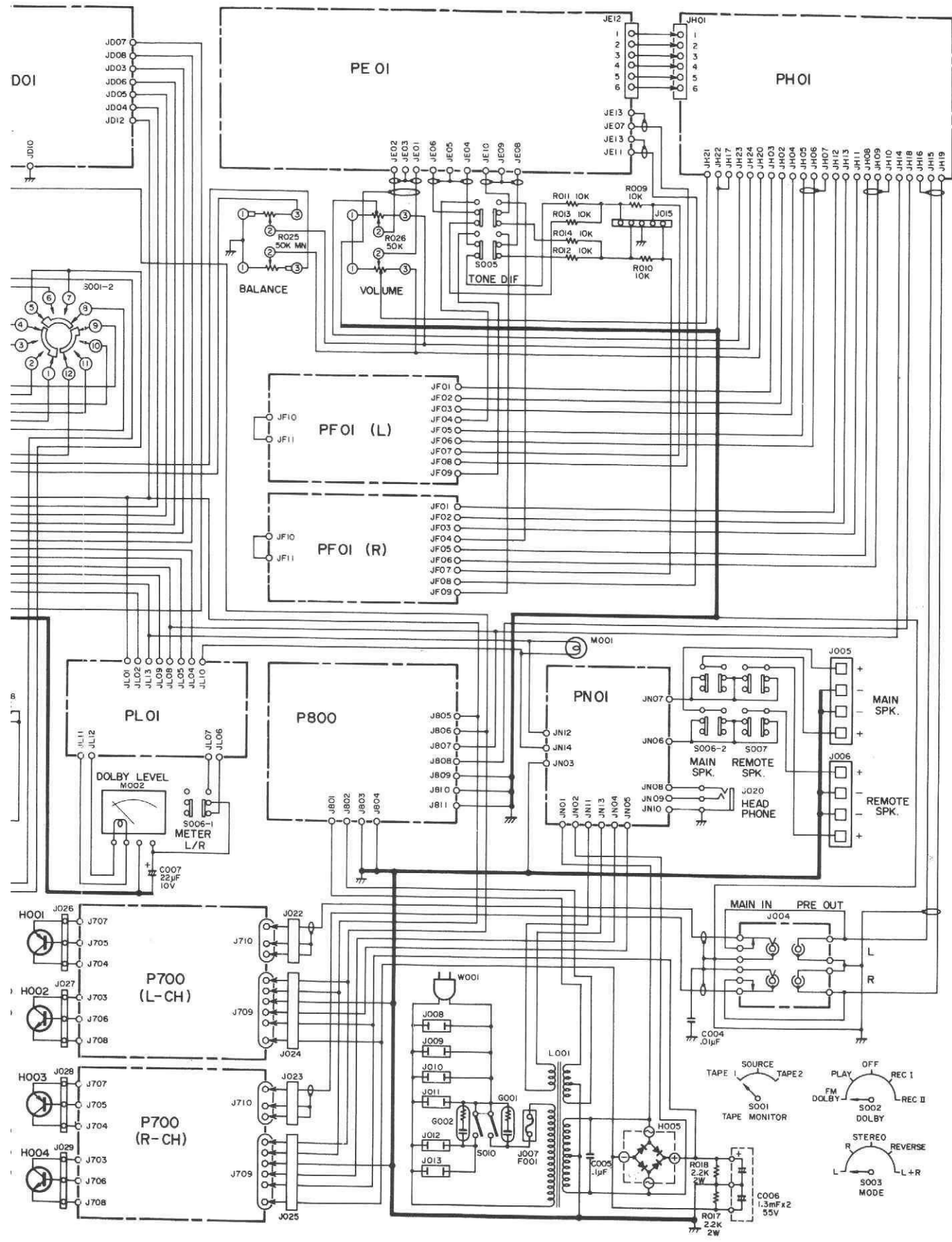
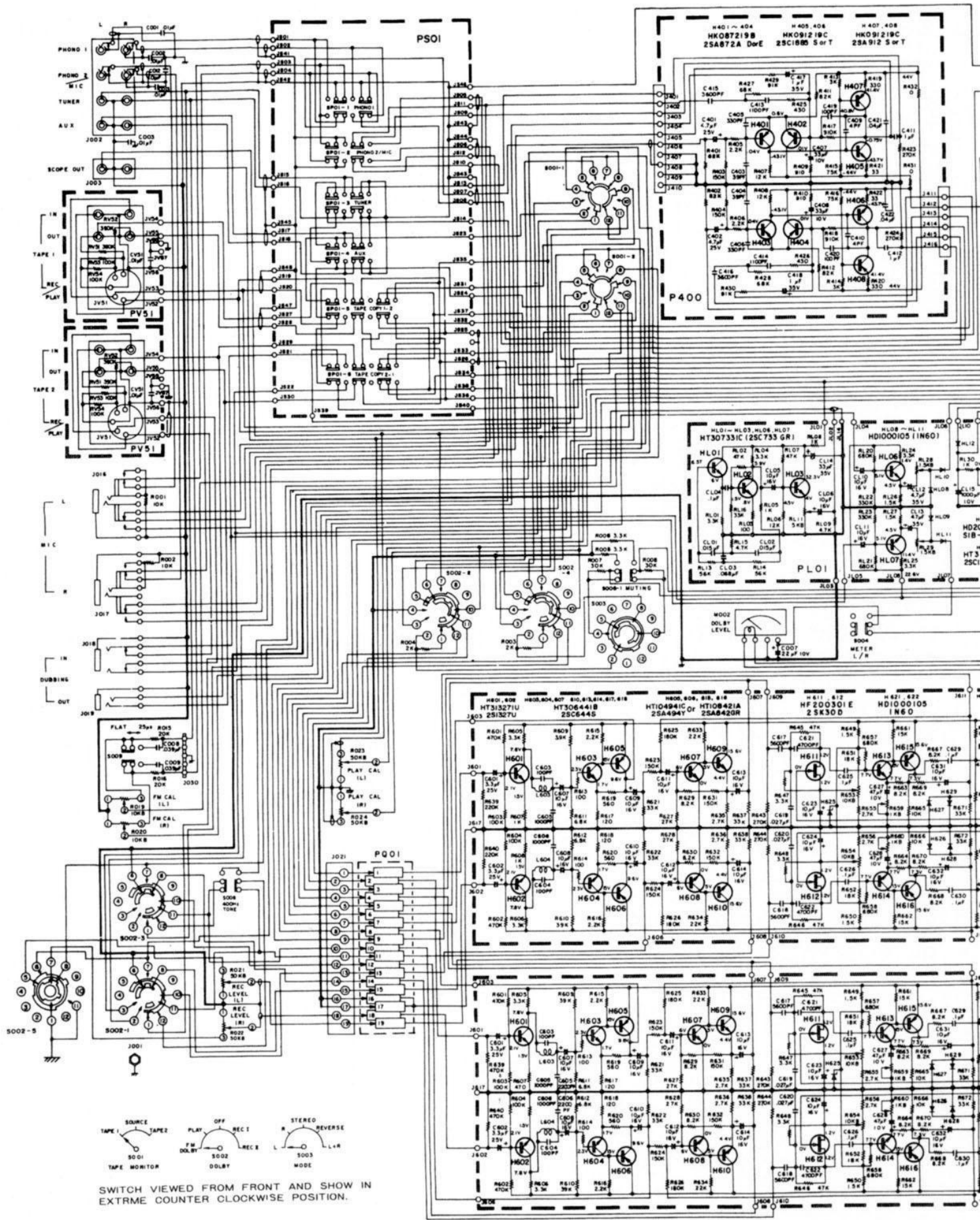


Figure 31. Functional Block Diagram



SWITCH VIEWED FROM FRONT AND SHOW IN EXTREME COUNTER CLOCKWISE POSITION.

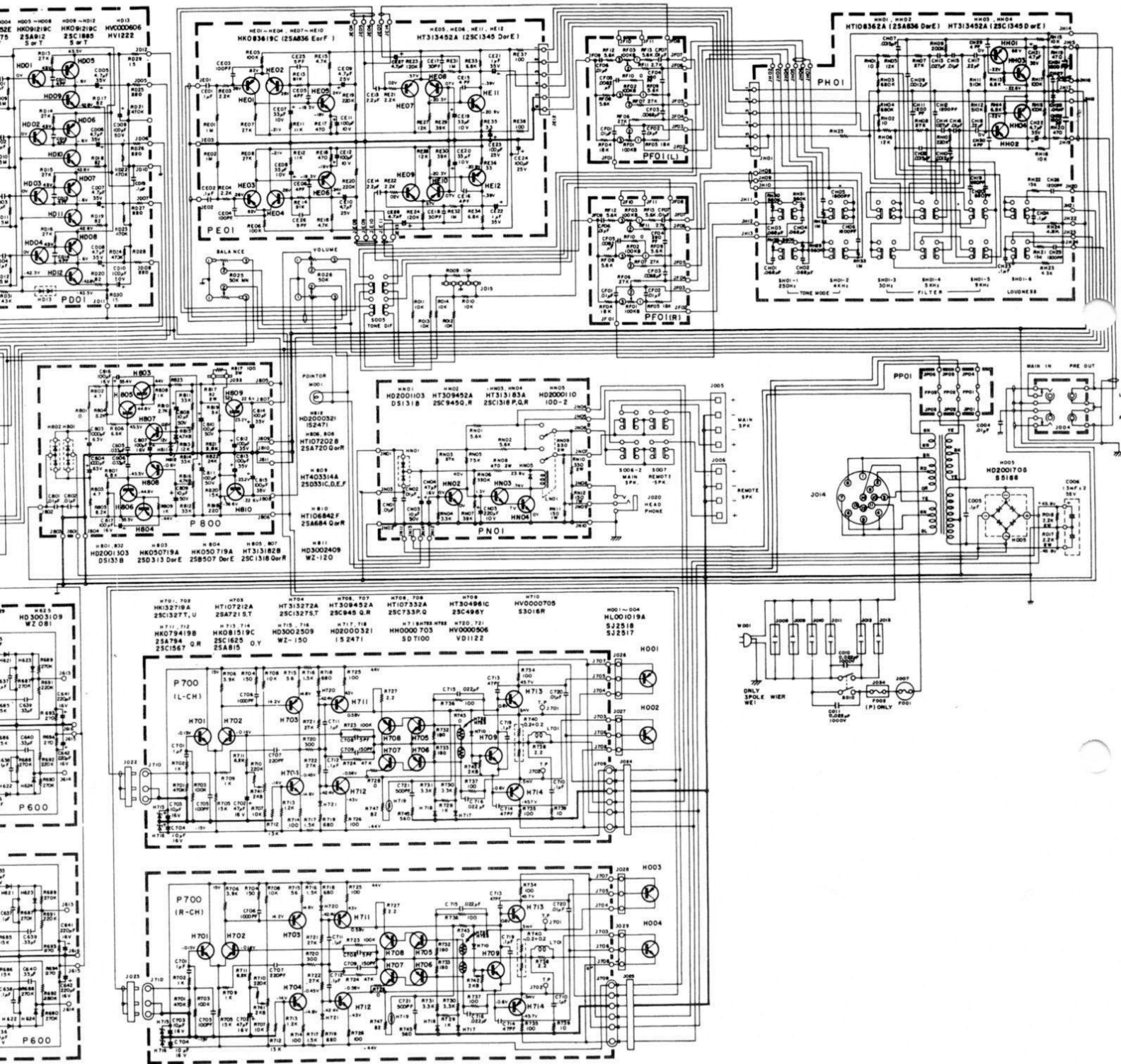


Figure 38. Schematic Diagram for European Model

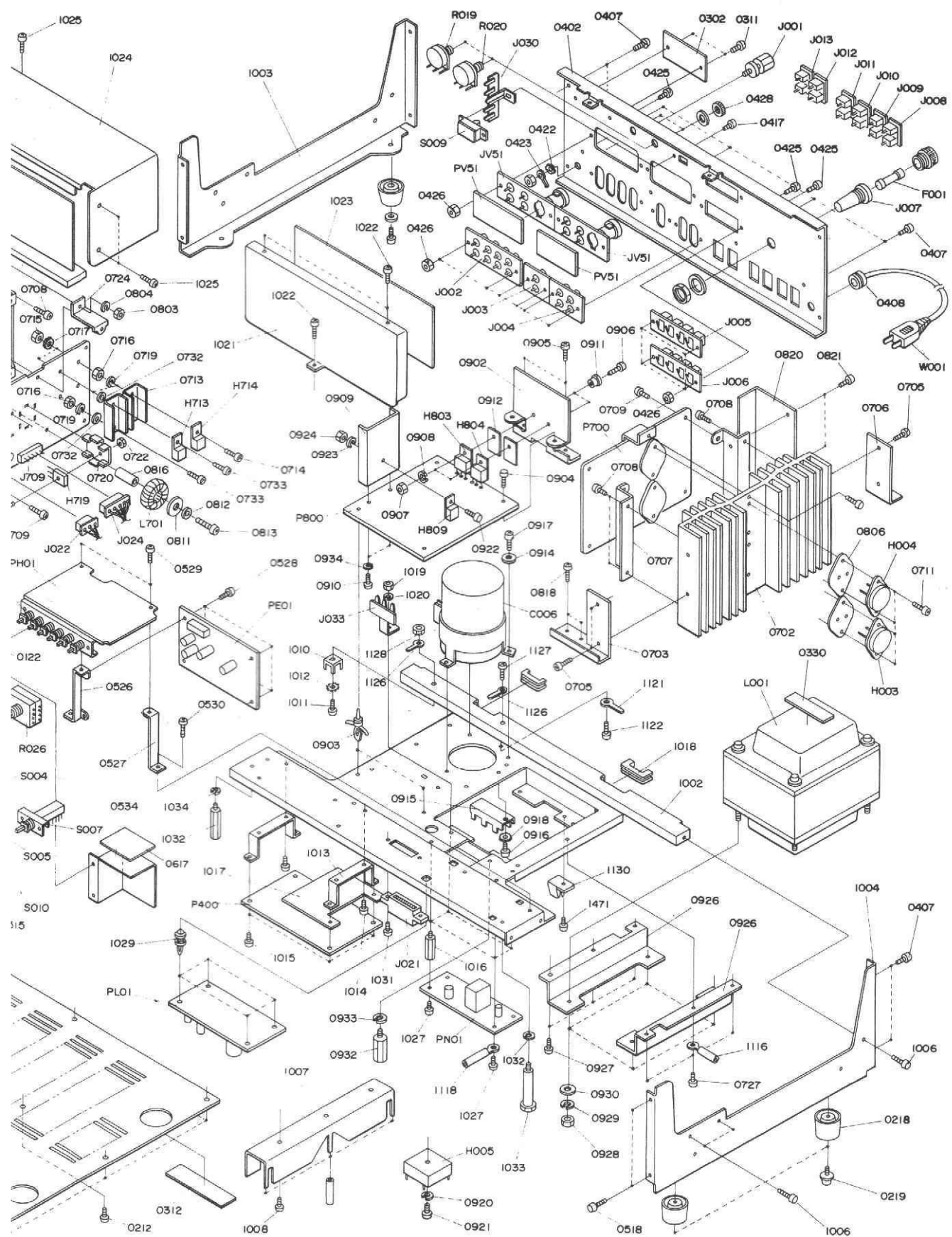


Figure 33. Exploded Mechanical Diagram

PARTS LIST

U: For U.S.A.
 C: For Canada
 E: For Europe
 N: For Scandinavia

REF DESIG.	QTY				PARTS NO.	DESCRIPTION	REF DESIG.	QTY				PARTS NO.	DESCRIPTION	
	U	C	E	N				U	C	E	N			
A	1	1	1	1	293006340	Front Panel Assembly,	0315	1	1	1	1	293286101	Label, Do not remove/See marking	
0102	1	1	1	1	293605301	Cover	0316	1	1	1	1	288286103	Label, 220V, 50 Hz	
0104	1	1	1	1	293006301	Escutcheon	0319	1	1	1	1	951091101	Label, LL No.	
0106	1	1	1	1	285540101	Frame	0320	1	1	1	1	282186102	Label, Fuse Caution	
0107	1	1	1	1	293015602	Window	0321	1	1	1	1	951091102	Label, Factory No.	
0108	2	2	2	2	290425901	Bush	0324	1	1	1	1	951110101	Label, UL	
0109	1	1	1	1	292625902	Bush	0330	1	1	1	1	385686101	Label, On Power Transformer	
0110	5	5	5	5	292625903	Bush	0331	1	1	1	1	951022101	Label, Fuse	
0111	5	5	5	5	273125901	Bush	0402	1	1	1	1	293016021	Bracket	
							0404					1	293016023	Bracket
0112	7	7	7	7	281825905	Bush	0407	8	8	8	8	51100306S	B.H.M. Screw, 83 x 6	
0113	2	2	2	2	292630301	Mask	0408	1	1	1	1	145525907	Bush	
0114	1	1	1	1	292630302	Mask	0413			2		54050300R	T.L. Washer, OR	
0116	1	1	1	1	292627801	Jewel	0414			2		51060316A	P.H.M. Screw, 83 x 16	
0117	1	1	1	1	293005302	Cover	0415			2		53110303A	Hexagon Nut	
0119	1	1	1	1	293006303	Escutcheon	0417	2	2	2	2	51100306S	B.H.M. Screw, 83 x 6	
							0421			2	2	51100306S	B.H.M. Screw, 83 x 6	
B	1	1	1	1	293325740	Top Lid Assembly	0422	1	1	1	1	54050400R	T.L. Washer, OR	
0202	1	1	1	1	293325701	Lid	0423	1	1	1	1	62041760W	Lug	
0203	6	6	6	6	257711807	Spacer	0425	14	14	14	14	51100308S	B.H.M. Screw, 83 x 8	
0205	4	4	4	4	293305601	Buffer								
C	1	1	1	1	293325741	Bottom Lid Assembly	0426	14	14	14	14	53110303A	Hexagon Nut	
0211	1	1	1	1	293325702	Lid	0428	2	2	2	2	53228059E	Nut	
0213	1	1	1	1	288912005	Insulator	0430			1		54050400R	T.L. Washer, OR	
0214	1	1	1	1	289212003	Insulator	0431			1		62041760W	Lug	
D				1	293016040	Rear Panel Assembly	0502	1	1	1	1	293016050	Bracket K	
0403				1	293016022	Bracket	0507	1	1	1	1	293012001	Insulator	
0411				1	282125901	Bush	0508	4	4	4	4	51100306A	B.H.M. Screw, 83 x 6	
0412				1	55060305S	T.R. Rivet	0510	1	1	1	1	293012002	Insulator	
							0511	2	2	2	2	51040306A	B.H.M. Screw, 83 x 6	
							0512	1	1	1	1	293005601	Buffer	
							0513	14	14	14	14	51100306A	B.H.M. Screw, 83 x 6	
							0514	13	13	13	13	51100308A	B.H.M. Screw, 83 x 8	
							0515	2	2	2	2	293010103	Support	
							0516	2	2	2	2	293010101	Support	
							0517	1	1	1	1	51100304A	B.H.M. Screw, 83 x 4	
							0518	6	6	6	6	51100406A	B.H.M. Screw, 84 x 6	
							0519	1	1	1	1	293010906	Shield	
							0520	1	1	1	1	291225901	Bush	
0122	2	2	2	2	290415402	Knob	0521	1	1	1	1	293016006	Bracket	
0124	7	7	7	7	285015401	Knob	0522	2	2	2	2	51570306S	P.H. Tapped Screw, P3 x 6	
0125	4	4	4	4	293315401	Knob								
0126	6	6	6	6	281815401	Knob	0523	1	1	1	1	293005301	Cover	
0127	1	1	1	1	292615403	Knob	0524	2	2	2	2	138912001	Insulator	
0128	4	4	4	4	293015401	Knob	0525	1	1	1	1	51570306B	P.H. Tapped Screw, P3 x 6	
0129				1	281815401	Knob	0526	1	1	1	1	293316002	Bracket	
0130	4	4	4	4	52017039J	Bolt	0527	1	1	1	1	293316003	Bracket	
0204	4	4	4	4	51480406S	B.H.M. Screw F., 84 x 6	0528	4	4	4	4	51100306S	B.H.M. Screw, 83 x 6	
0212	9	9	9	9	51100406S	B.H.M. Screw, 84 x 6	0529	2	2	2	2	51100306S	B.H.M. Screw, 83 x 6	
							0530	2	2	2	2	51570306B	P.H. Tapped Screw, P3 x 6	
0218	4	4	4	4	293205701	Lug	0531	1	1	1	1	293010905	Shield	
0219	4	4	4	4	51440410S	B.H.M. Screw S., 84 x 10	0532	1	1	1	1	293010902	Shield	
0302	1				293026501	Indicator								
0303	1				293026502	Indicator	0533	1	1	1	1	293010901	Shield	
0304				1	293026503	Indicator	0534	1	1	1	1	293010903	Shield	
0305				1	293026504	Indicator	0535	2	2	2	2	51100304A	B.H.M. Screw, 83 x 4	
0311	2	2	2	2	51100305S	B.H.M. Screw, 83 x 6	0602	1	1	1	1	289216007	Bracket	
0312	1	1	1	1	257886101	Label, UL Caution	0603	1	1	1	1	289212001	Insulator	
0313				1	257886102	Label, Do not remove	0604	4	4	4	4	289210105	Support	
0314				1	257886103	Label, See marking	0605	4	4	4	4	289210107	Support	
							0606	2	2	2	2	51100305A	B.H.M. Screw, 83 x 5	
							0607	8	8	8	8	51100304S	B.H.M. Screw, 83 x 4	
							0610	1	1	1	1	293016003	Bracket	

U: For U.S.A.
 C: For Canada
 E: For Europe
 N: For Scandinavia

REF DESIG.	QTY				PARTS NO.	DESCRIPTION	REF DESIG.	QTY				PARTS NO.	DESCRIPTION
	U	C	E	N				U	C	E	N		
0611	1	1	1	1	293016004	Bracket	0920	1	1	1	1	54040302N	Spring Washer
0611	2	2	2	2	51570306B	P.H. Tapped Screw, P3 x 6	0921	1	1	1	1	51100316B	B.H.M. Screw, B3 x 16
0612	2	2	2	2	51100304A	B.H.M. Screw, B3 x 4	0922	1	1	1	1	51100308B	B.H.M. Screw, B3 x 8
0615	1	1	1	1	293011801	Spacer	0923	1	1	1	1	54040302N	Spring Washer
0617	1	1	1	1	289612003	Insulator	0924	1	1	1	1	53110303E	Hexagon Nut
0620	1	1	1	1	293316002	Bracket	0926	2	2	2	2	293310504	Chassis
0621	1	1	1	1	293316003	Bracket	0927	6	6	6	6	51570306B	P.H. Tapped Screw, P3 x 6
0622	4	4	4	4	51100306S	B.H.M. Screw, B3 x 6	0928	4	4	4	4	53110501A	Hexagon Nut
0623	2	2	2	2	51570306B	P.H. Tapped Screw, P3 x 6	0929	4	4	4	4	54040502A	Spring Washer
0702	2	2	2	2	293326701	Heat-Sink	0930	4	4	4	4	54020501A	Flat Washer, P
0703	1	1	1	1	293316004	Bracket	0932	1	1	1	1	293310103	Support
0704	1	1	1	1	293316005	Bracket	0933	1	1	1	1	54040402A	Spring Washer
0705	8	8	8	8	51380306T	P.H. Tapped Screw, P3 x 6	0934	2	2	2	2	59030805P	Fibre Washer
0706	2	2	2	2	293316006	Bracket	1002	1	1	1	1	293010501	Chassis
0707	4	4	4	4	293316007	Bracket	1003	1	1	1	1	293310502	Chassis
0708	8	8	8	8	51380306T	P.H. Tapped Screw, P3 x 6	1004	1	1	1	1	293010550	Chassis
0709	8	8	8	8	51100306S	B.H.M. Screw, B3 x 6	1006	6	6	6	6	51570306B	P.H. Tapped Screw, P3 x 6
0711	8	8	8	8	51100316B	B.H.M. Screw, B3 x 16	1007	1	1	1	1	293310501	Shield
0713	4	4	4	4	281826703	Heat-Sink	1008	2	2	2	2	51570306B	P.H. Tapped Screw, P3 x 6
0714	6	6	6	6	51100310E	B.H.M. Screw, B3 x 10	1010	1	1	1	1	291012302	Contacto
0715	8	8	8	8	53110303E	Hexagon Nut	1011	1	1	1	1	51380306B	P.H. Tapped Screw, P3 x 6
0716	8	8	8	8	53110301E	Hexagon Nut	1012	1	1	1	1	54050300A	T.L. Washer
0717	8	8	8	8	54060300R	T.L. Washer, IR	1013	2	2	2	2	293016005	Bracket
0719	8	8	8	8	54040302N	Spring Washer	1014	4	4	4	4	51570306B	P.H. Tapped Screw, P3 x 6
0720	4	4	4	4	291726702	Heat-Sink	1015	4	4	4	4	51100305S	B.H.M. Screw, B3 x 5
0721	4	4	4	4	51100308S	B.H.M. Screw, B3 x 8	1016	4	4	4	4	299010105	Support
0722	4	4	4	4	53110303E	Hexagon Nut	1017	1	1	1	1	293012003	Insulator
0724	2	2	2	2	293310401	Retainer	1018	2	2	2	2	288925801	Bush
0725	2	2	2	2	51100305S	B.H.M. Screw, B3 x 5	1019	1	1	1	1	53110303E	Hexagon Nut
0732	4	4	4	4	54010300E	Flat Washer, S	1020	1	1	1	1	54040402N	Spring Washer
0733	2	2	2	2	51100312E	B.H.M. Screw, B3 x 12	1021	1	1	1	1	293305301	Cover
0802	2	2	2	2	51100310B	B.H.M. Screw, B3 x 10	1022	3	3	3	3	51570306S	P.H. Tapped Screw, P3 x 6
0803	2	2	2	2	53110301E	Hexagon Nut	1023	1	1	1	1	293012004	Insulator
0804	2	2	2	2	54040302N	Spring Washer	1024	1	1	1	1	293305302	Cover
0806	4	4	4	4	257711802	Spacer	1025	5	5	5	5	51570306S	P.H. Tapped Screw, P3 x 6
0811	2	2	2	2	59110335H	Washer	1026	1	1	1	1	288812001	Insulator
0812	2	2	2	2	257700501	Clamper	1027	4	4	4	4	51100306S	B.H.M. Screw, B3 x 6
0813	2	2	2	2	51100325E	B.H.M. Screw, B3 x 25	1029	4	4	4	4	389610101	Support
0814	2	2	2	2	293310102	Support	1031	2	2	2	2	51570308B	P.H. Tapped Screw, P3 x 8
0815	2	2	2	2	54040302N	Spring Washer	1032	1	1	1	1	293310106	Support
0816	2	2	2	2	291705501	Collar	1033	1	1	1	1	293010102	Support
0818	8	8	8	8	51570306S	P.H. Tapped Screw, P3 x 6	1034	2	2	2	2	54040302N	Spring Washer
0820	1	1	1	1	293010904	Shield	1108	1	1	1	1	285416003	Bracket
0821	2	2	2	2	51570305B	P.H. Tapped Screw, P3 x 5	1109	2	2	2	2	51570306B	P.H. Tapped Screw, P3 x 6
0902	1	1	1	1	293326703	Heat-Sink	1110	2	2	2	2	51100306S	B.H.M. Screw, B3 x 6
0903	2	2	2	2	291210105	Support	1116	1	1	1	1	138200503	Clamper
0904	2	2	2	2	51380308T	P.H. Tapped Screw, P3 x 8	1117	2	2	2	2	51570305B	P.H. Tapped Screw, P3 x 5
0905	2	2	2	2	51570306S	P.H. Tapped Screw, P3 x 6	1118	1	1	1	1	287100501	Clamper
0906	2	2	2	2	51100308B	B.H.M. Screw, B3 x 8	1121	2	2	2	2	62030039W	Lug
0907	2	2	2	2	53110303E	Hexagon Nut	1122	1	1	1	1	51570305B	P.H. Tapped Screw, P3 x 5
0908	2	2	2	2	54040302N	Spring Washer	1126	2	2	2	2	62030039W	Lug
0908	1	1	1	1	293026701	Heat-Sink	1127	1	1	1	1	51570306B	P.H. Tapped Screw, P3 x 6
0910	2	2	2	2	51100306S	B.H.M. Screw, B3 x 6	1128	1	1	1	1	53110303E	Hexagon Nut
0911	2	2	2	2	289225902	Bush	1130	1	1	1	1	288700501	Clamper
0912	2	2	2	2	268611801	Spacer	1132	1	1	1	1	51570306B	P.H. Tapped Screw, P3 x 6
0914	3	3	3	3	54020401S	Flat Washer, P	1202	1	1	1	1	293085101	Instructions, Set
0915	1	1	1	1	293316008	Bracket	1203	1	1	1	1	293085121	Instructions, Set
0916	1	1	1	1	51570306B	P.H. Tapped Screw, P3 x 6	1205	1	1	1	1	293085129	Instructions, Leaflet
0917	3	3	3	3	51570408B	P.H. Tapped Screw, P4 x 8	1207	1	1	1	1	288685110	Instructions, Leaflet
0918	1	1	1	1	54050300R	T.L. Washer, OR	1209	1	1	1	1	293085601	Schematic

U: For U.S.A.
 C: For Canada
 E: For Europe
 N: For Scandinavia

REF DESIG.	QTY				PARTS NO.	DESCRIPTION
	U	C	E	N		
1210			1		293085602	Schematic
1211		1			293085603	Schematic
1212				1	293085604	Schematic
1214	1	1	1		288586108	Instructions, Accessories
1215				1	291286112	Instructions, Accessories
1217	1	1	1	1	281885104	Instructions, Packing
1220	1	1	1	1	282685107	Instructions, Mounting Template
1222	1				281885402	Guarantee Card
1224	1	1	1	1	257786401	Guarantee Card
1225	1	1	1	1	267785102	Instructions, Red Tag
1226	1				257781301	Envelope
1227			1	1	281881301	Envelope
1231		1			291881301	Envelope
1302	1	1	1		293080101	Packing Case, Inner
1303	1	1	1		293080102	Packing Case, Outer
1308	2	2	2	2	293380301	Cushion
1312	1	1	1	1	901403540	Polyethylene Bag
1314	1	1	1	1	901302501	Polyethylene Bag
1315				1	293080105	Packing Case, Inner
1316				1	293080106	Packing Case, Outer
1317	1	1	1		102980401	Sleeve
1318				1	956000004	Hang Tag
1319	1	1	1	1	273182101	Silicogel
1320				1	293380701	Reinforcing
1321				1	288286101	Label
1322	4				952281501	Serial No. Card
1323		4			952301512	Serial No. Card
1324			4		952301511	Serial No. Card
1325				4	952301513	Serial No. Card
1331	2	2	2	2	293305303	Cover
P600 DOLBY BOARD						
P600	2	2	2	2	YD2930003	P.W. Board, Dolby
	2	2	2	2	ZZ2930003	P.W. Board Assembly
R601	2	2	2	2	RT0547414	Resistor, 470KΩ ±5% 1/4W
R602	2	2	2	2	RT0547414	Resistor, 470KΩ ±5% 1/4W
R603	2	2	2	2	RT0510414	Resistor, 100KΩ ±5% 1/4W
R604	2	2	2	2	RT0510414	Resistor, 100KΩ ±5% 1/4W
R605	2	2	2	2	RT0533214	Resistor, 3.3KΩ ±5% 1/4W
R606	2	2	2	2	RT0533214	Resistor, 3.3KΩ ±5% 1/4W
R607	2	2	2	2	RT0510214	Resistor, 1KΩ ±5% 1/4W
R608	2	2	2	2	RT0510214	Resistor, 1KΩ ±5% 1/4W
R609	2	2	2	2	RT0539314	Resistor, 39KΩ ±5% 1/4W
R610	2	2	2	2	RT0539314	Resistor, 39KΩ ±5% 1/4W
R611	2	2	2	2	RT0568214	Resistor, 6.8KΩ ±5% 1/4W
R612	2	2	2	2	RT0568214	Resistor, 6.8KΩ ±5% 1/4W
R613	2	2	2	2	RT0510114	Resistor, 100Ω ±5% 1/4W
R614	2	2	2	2	RT0510114	Resistor, 100Ω ±5% 1/4W
R615	2	2	2	2	RT0522214	Resistor, 2.2KΩ ±5% 1/4W
R616	2	2	2	2	RT0522214	Resistor, 2.2KΩ ±5% 1/4W
R617	2	2	2	2	RT0512114	Resistor, 120Ω ±5% 1/4W
R618	2	2	2	2	RT0512114	Resistor, 120Ω ±5% 1/4W
R619	2	2	2	2	RT0556114	Resistor, 560Ω ±5% 1/4W
R620	2	2	2	2	RT0556114	Resistor, 560Ω ±5% 1/4W
R621	2	2	2	2	RT0533314	Resistor, 33KΩ ±5% 1/4W
R622	2	2	2	2	RT0533314	Resistor, 33KΩ ±5% 1/4W
R623	2	2	2	2	RT0215414	Resistor, 150KΩ ±2% 1/4W

REF DESIG.	QTY				PARTS NO.	DESCRIPTION
	U	C	E	N		
R624	2	2	2	2	RT0215414	Resistor, 150KΩ ±2% 1/4W
R625	2	2	2	2	RT0218414	Resistor, 180KΩ ±2% 1/4W
R626	2	2	2	2	RT0218414	Resistor, 180KΩ ±2% 1/4W
R627	2	2	2	2	RT0527314	Resistor, 27KΩ ±5% 1/4W
R628	2	2	2	2	RT0527314	Resistor, 27KΩ ±5% 1/4W
R629	2	2	2	2	RT0582214	Resistor, 8.2KΩ ±5% 1/4W
R630	2	2	2	2	RT0582214	Resistor, 8.2KΩ ±5% 1/4W
R631	2	2	2	2	RT0215414	Resistor, 150KΩ ±2% 1/4W
R632	2	2	2	2	RT0215414	Resistor, 150KΩ ±2% 1/4W
R633	2	2	2	2	RT0522314	Resistor, 22KΩ ±5% 1/4W
R634	2	2	2	2	RT0522314	Resistor, 22KΩ ±5% 1/4W
R635	2	2	2	2	RT0227214	Resistor, 2.7KΩ ±2% 1/4W
R636	2	2	2	2	RT0227214	Resistor, 2.7KΩ ±2% 1/4W
R637	2	2	2	2	RT0533314	Resistor, 33KΩ ±5% 1/4W
R638	2	2	2	2	RT0533314	Resistor, 33KΩ ±5% 1/4W
R639	2	2	2	2	RT0522414	Resistor, 220KΩ ±5% 1/4W
R640	2	2	2	2	RT0522414	Resistor, 220KΩ ±5% 1/4W
R643	2	2	2	2	RT0527414	Resistor, 270KΩ ±5% 1/4W
R644	2	2	2	2	RT0527414	Resistor, 270KΩ ±5% 1/4W
R645	2	2	2	2	RT0547314	Resistor, 47KΩ ±5% 1/4W
R646	2	2	2	2	RT0547314	Resistor, 47KΩ ±5% 1/4W
R647	2	2	2	2	RT0533214	Resistor, 3.3KΩ ±5% 1/4W
R648	2	2	2	2	RT0533214	Resistor, 3.3KΩ ±5% 1/4W
R649	2	2	2	2	RT0515214	Resistor, 1.5KΩ ±5% 1/4W
R650	2	2	2	2	RT0515214	Resistor, 1.5KΩ ±5% 1/4W
R651	2	2	2	2	RT0518314	Resistor, 18KΩ ±5% 1/4W
R652	2	2	2	2	RT0518314	Resistor, 18KΩ ±5% 1/4W
R653	2	2	2	2	RA0103022	Variable Resistor, 10KΩ
R654	2	2	2	2	RA0103022	Variable Resistor, 10KΩ
R655	2	2	2	2	RT0527214	Resistor, 2.7KΩ ±5% 1/4W
R656	2	2	2	2	RT0527214	Resistor, 2.7KΩ ±5% 1/4W
R657	2	2	2	2	RT0568414	Resistor, 680KΩ ±5% 1/4W
R658	2	2	2	2	RT0568414	Resistor, 680KΩ ±5% 1/4W
R659	2	2	2	2	RA0102020	Variable Resistor, 1KΩ
R660	2	2	2	2	RA0102020	Variable Resistor, 1KΩ
R661	2	2	2	2	RT0515314	Resistor, 15KΩ ±5% 1/4W
R662	2	2	2	2	RT0515314	Resistor, 15KΩ ±5% 1/4W
R663	2	2	2	2	RT0582214	Resistor, 8.2KΩ ±5% 1/4W
R664	2	2	2	2	RT0582214	Resistor, 8.2KΩ ±5% 1/4W
R665	2	2	2	2	RT0510314	Resistor, 10KΩ ±5% 1/4W
R666	2	2	2	2	RT0510314	Resistor, 10KΩ ±5% 1/4W
R667	2	2	2	2	RT0582214	Resistor, 8.2KΩ ±5% 1/4W
R668	2	2	2	2	RT0582214	Resistor, 8.2KΩ ±5% 1/4W
R669	2	2	2	2	RT0582214	Resistor, 8.2KΩ ±5% 1/4W
R670	2	2	2	2	RT0582214	Resistor, 8.2KΩ ±5% 1/4W
R671	2	2	2	2	RT0533314	Resistor, 33KΩ ±5% 1/4W
R672	2	2	2	2	RT0533314	Resistor, 33KΩ ±5% 1/4W
R673	2	2	2	2	RT0512414	Resistor, 120KΩ ±5% 1/4W
R674	2	2	2	2	RT0512414	Resistor, 120KΩ ±5% 1/4W
R675	2	2	2	2	RT0547314	Resistor, 47KΩ ±5% 1/4W
R676	2	2	2	2	RT0547314	Resistor, 47KΩ ±5% 1/4W
R677	2	2	2	2	RT0527214	Resistor, 2.7KΩ ±5% 1/4W
R678	2	2	2	2	RT0527214	Resistor, 2.7KΩ ±5% 1/4W
R679	2	2	2	2	RT0510214	Resistor, 1KΩ ±5% 1/4W
R680	2	2	2	2	RT0510214	Resistor, 1KΩ ±5% 1/4W
R681	2	2	2	2	RT0533014	Resistor, 33Ω ±5% 1/4W
R682	2	2	2	2	RT0533014	Resistor, 33Ω ±5% 1/4W
R683	2	2	2	2	RT0547014	Resistor, 47Ω ±5% 1/4W
R684	2	2	2	2	RT0547014	Resistor, 47Ω ±5% 1/4W
R685	2	2	2	2	RT0515314	Resistor, 15KΩ ±5% 1/4W

U: For U.S.A.
 C: For Canada
 E: For Europe
 N: For Scandinavia

REF DESIG.	QTY				PARTS NO.	DESCRIPTION
	U	C	E	N		
R686	2	2	2	2	RT0515314	Resistor, 15K Ω \pm 5% 1/4W
R687	2	2	2	2	RT0527414	Resistor, 270K Ω \pm 5% 1/4W
R688	2	2	2	2	RT0527414	Resistor, 270K Ω \pm 5% 1/4W
R689	2	2	2	2	RT0527414	Resistor, 270K Ω \pm 5% 1/4W
R690	2	2	2	2	RT0527414	Resistor, 270K Ω \pm 5% 1/4W
R691	2	2	2	2	RT0522414	Resistor, 220K Ω \pm 5% 1/4W
R692	2	2	2	2	RT0522474	Resistor, 220K Ω \pm 5% 1/4W
R693	2	2	2	2	RC1027112	Resistor, 270 Ω \pm 10% 1/4W
R694	2	2	2	2	RC1027112	Resistor, 270 Ω \pm 10% 1/4W
C601	2	2	2	2	EE3350251	Electrolytic Cap., 3.3 μ F 25V
C602	2	2	2	2	EE3350251	Electrolytic Cap., 3.3 μ F 25V
C603	2	2	2	2	DF1533205	Film Cap., 3300 PF \pm 5%
C604	2	2	2	2	DF1533205	Film Cap., 3300 PF \pm 5%
C605	2	2	2	2	DF1522201	Film Cap., 2200 PF \pm 5%
C606	2	2	2	2	DF1522201	Film Cap., 2200 PF \pm 5%
C607	2	2	2	2	EA1060169	Electrolytic Cap., 10 μ F 16V
C608	2	2	2	2	EA1060169	Electrolytic Cap., 10 μ F 16V
C609	2	2	2	2	EA1060169	Electrolytic Cap., 10 μ F 16V
C610	2	2	2	2	EA1060169	Electrolytic Cap., 10 μ F 16V
C611	2	2	2	2	EA1060169	Electrolytic Cap., 10 μ F 16V
C612	2	2	2	2	EA1060169	Electrolytic Cap., 10 μ F 16V
C613	2	2	2	2	EA1060169	Electrolytic Cap., 10 μ F 16V
C614	2	2	2	2	EA1060169	Electrolytic Cap., 10 μ F 16V
C615	2	2	2	2	DF1527201	Film Cap., 2700 PF \pm 5%
C616	2	2	2	2	DF1527201	Film Cap., 2700 PF \pm 5%
C617	2	2	2	2	DF1556205	Film Cap., 5600 PF \pm 5%
C618	2	2	2	2	DF7556205	Film Cap., 5600 PF \pm 5%
C619	2	2	2	2	DF1527305	Film Cap., 0.027 μ F \pm 5%
C620	2	2	2	2	DF1527305	Film Cap., 0.027 μ F \pm 5%
C621	2	2	2	2	DF1547205	Film Cap., 4700 μ F \pm 5%
C622	2	2	2	2	DF1547205	Film Cap., 4700 μ F \pm 5%
C623	2	2	2	2	EA1060169	Electrolytic Cap., 10 μ F 16V
C624	2	2	2	2	EA1060169	Electrolytic Cap., 10 μ F 16V
C625	2	2	2	2	DF1610405	Film Cap., 0.1 μ F \pm 10%
C626	2	2	2	2	DF1610405	Film Cap., 0.1 μ F \pm 10%
C627	2	2	2	2	EA4760109	Electrolytic Cap., 47 μ F 10V
C628	2	2	2	2	EA4760109	Electrolytic Cap., 47 μ F 10V
C629	2	2	2	2	DF1610405	Film Cap., 0.1 μ F \pm 10%
C630	2	2	2	2	DF1610405	Film Cap., 0.1 μ F \pm 10%
C631	2	2	2	2	EA1060169	Electrolytic Cap., 10 μ F 16V
C632	2	2	2	2	EA1060169	Electrolytic Cap., 10 μ F 16V
C633	2	2	2	2	DF1610405	Film Cap., 0.1 μ F \pm 10%
C634	2	2	2	2	DF1610405	Film Cap., 0.1 μ F \pm 10%
C635	2	2	2	2	EA1060169	Electrolytic Cap., 10 μ F 10V
C636	2	2	2	2	EA1060169	Electrolytic Cap., 10 μ F 10V
C637	2	2	2	2	DF1610405	Film Cap., 0.1 μ F \pm 10%
C638	2	2	2	2	DF1610405	Film Cap., 0.1 μ F \pm 10%
C639	2	2	2	2	DF1633405	Film Cap., 0.33 μ F \pm 10%
C640	2	2	2	2	DF1633405	Film Cap., 0.33 μ F \pm 10%
C641	2	2	2	2	EA2270169	Electrolytic Cap., 220 μ F 16V
C642	2	2	2	2	EA2270169	Electrolytic Cap., 220 μ F 16V
L601	2	2	2	2	LC2366001	Choke Coil, 36 mH
L602	2	2	2	2	LC2366001	Choke Coil, 36 mH
L603	2	2	2	2	LC2226004	Choke Coil, 22 mH
L604	2	2	2	2	LC2226004	Choke Coil, 22 mH
J605	2	2	2	2	YP1000109	Plug
J606	2	2	2	2	YP1000109	Plug
J611	2	2	2	2	YP1000109	Plug
J614	2	2	2	2	YP1000109	Plug

REF DESIG.	QTY				PARTS NO.	DESCRIPTION
	U	C	E	N		
J616	2	2	2	2	YP1000109	Plug
H601	2	2	2	2	HT313271U	Transistor, 2SC1327U
H602	2	2	2	2	HT313271U	Transistor, 2SC1327U
H603	2	2	2	2	HT306441B	Transistor, 2SC644S
H604	2	2	2	2	HT306441B	Transistor, 2SC644S
H605	2	2	2	2	HT104941O	Transistor, 2SA494Y
H606	2	2	2	2	HT104941O	Transistor, 2SA494Y
H607	2	2	2	2	HT306441B	Transistor, 2SC644S
H608	2	2	2	2	HT306441B	Transistor, 2SC644S
H609	2	2	2	2	HT306441B	Transistor, 2SC644S
H610	2	2	2	2	HT306441B	Transistor, 2SC644S
H611	2	2	2	2	HF200301E	Transistor, 2SK30D
H612	2	2	2	2	HF200301E	Transistor, 2SK30D
H613	2	2	2	2	HT306441B	Transistor, 2SC644S
H614	2	2	2	2	HT306441B	Transistor, 2SC644S
H615	2	2	2	2	HT104941O	Transistor, 2SA494Y
H616	2	2	2	2	HT104941O	Transistor, 2SA494Y
H617	2	2	2	2	HT306441B	Transistor, 2SC644S
H618	2	2	2	2	HT306441B	Transistor, 2SC644S
H621	2	2	2	2	HD1000105	Diode, 1N6D
H622	2	2	2	2	HD1000105	Diode, 1N6D
H623	2	2	2	2	HD2000121	Diode, 1S2473
H624	2	2	2	2	HD2000121	Diode, 1S2473
H625	2	2	2	2	HD3003109	Diode, WZ-081
H626	2	2	2	2	HD2000121	Diode, 1S2473
H627	2	2	2	2	HD2000121	Diode, 1S2473
H628	2	2	2	2	HD2000121	Diode, 1S2473
H629	2	2	2	2	HD2000121	Diode, 1S2473
PQ01	1	1	1	1	YD2930006	P.W. Board, Dolby Terminal BOARD
PL01	1	1	1	1	YD2930004	P.W. Board, Dolby Tone Meter BOARD
PL01	1	1	1	1	ZZ2930004	P.W. Board Assembly
RL01	1	1	1	1	RT0533214	Resistor, 3.3K Ω \pm 5% 1/4W
RL02	1	1	1	1	RT0533314	Resistor, 33K Ω \pm 5% 1/4W
RL03	1	1	1	1	RT0510114	Resistor, 100 Ω \pm 5% 1/4W
RL04	1	1	1	1	RT0533214	Resistor, 3.3K Ω \pm 5% 1/4W
RL06	1	1	1	1	RT0512314	Resistor, 12K Ω \pm 5% 1/4W
RL07	1	1	1	1	RT0547314	Resistor, 47K Ω \pm 5% 1/4W
RL08	1	1	1	1	RC1010212	Resistor, 1K Ω \pm 10% 1/4W
RL09	1	1	1	1	RT0547214	Resistor, 4.7K Ω \pm 5% 1/4W
RL11	1	1	1	1	RA0692013	Trimming Resistor, 5K Ω B
RL13	1	1	1	1	RT0556314	Resistor, 56K Ω \pm 5% 1/4W
RL14	1	1	1	1	RT0556314	Resistor, 56K Ω \pm 5% 1/4W
RL15	1	1	1	1	RT0547214	Resistor, 4.7K Ω \pm 5% 1/4W
RL16	1	1	1	1	RT0527314	Resistor, 27K Ω \pm 5% 1/4W
RL20	1	1	1	1	RT0569414	Resistor, 680K Ω \pm 5% 1/4W
RL21	1	1	1	1	RT0568414	Resistor, 680K Ω \pm 5% 1/4W
RL22	1	1	1	1	RT0533414	Resistor, 330K Ω \pm 5% 1/4W
RL23	1	1	1	1	RT0533414	Resistor, 330K Ω \pm 5% 1/4W
RL24	1	1	1	1	RT0533214	Resistor, 3.3K Ω \pm 5% 1/4W
RL25	1	1	1	1	RT0533214	Resistor, 3.3K Ω \pm 5% 1/4W
RL26	1	1	1	1	RT0515214	Resistor, 1.5K Ω \pm 5% 1/4W
RL27	1	1	1	1	RT0515214	Resistor, 1.5K Ω \pm 5% 1/4W

U: For U.S.A.
 C: For Canada
 E: For Europe
 N: For Scandinavia

REF DESIG.	QTY				PARTS NO.	DESCRIPTION
	U	C	E	N		
RL28	1	1	1	1	RA0152006	Trimming Resistor, 1.5K Ω B
RL29	1	1	1	1	RA0152006	Trimming Resistor, 1.5K Ω B
RL30	1	1	1	1	RT0510214	Resistor, 1K Ω \pm 5% $\frac{1}{4}$ W
CL01	1	1	1	1	DF1515305	Film Cap., 0.015 μ F \pm 5%
CL02	1	1	1	1	DF1515305	Film Cap., 0.015 μ F \pm 5%
CL03	1	1	1	1	DF1688305	Film Cap., 0.068 μ F \pm 10%
CL04	1	1	1	1	DF1610405	Film Cap., 0.1 μ F \pm 10%
CL05	1	1	1	1	EA1060169	Electrolytic Cap., 10 μ F 16V
CL06	1	1	1	1	EA1060169	Electrolytic Cap., 10 μ F 16V
CL10	1	1	1	1	EA1060169	Electrolytic Cap., 10 μ F 16V
CL11	1	1	1	1	EA1060169	Electrolytic Cap., 10 μ F 16V
CL12	1	1	1	1	EA4750359	Electrolytic Cap., 4.7 μ F 35V
CL13	1	1	1	1	EA4750359	Electrolytic Cap., 4.7 μ F 35V
CL14	1	1	1	1	EA3360359	Electrolytic Cap., 33 μ F 35V
CL15	1	1	1	1	EA1080109	Electrolytic Cap., 1000 μ F 10V
HL01	1	1	1	1	HT3073310	Transistor, 2SC733 GR
HL02	1	1	1	1	HT3073310	Transistor, 2SC733 GR
HL03	1	1	1	1	HT3073310	Transistor, 2SC733 GR
HL06	1	1	1	1	HT3073310	Transistor, 2SC733 GR
HL07	1	1	1	1	HT3073310	Transistor, 2SC733 GR
HL08	1	1	1	1	HD1000105	Diode, 1N60
HL09	1	1	1	1	HD1000105	Diode, 1N60
HL10	1	1	1	1	HD1000105	Diode, 1N60
HL11	1	1	1	1	HD1000105	Diode, 1N60
HL12	1	1	1	1	HD2000413	Diode, S1B-01-02
HL13	1	1	1	1	HT313182R	Transistor, 2SC1318 Q or R
JL01	1	1	1	1	YP1000113	Plug
JL14	1	1	1	1	YP1000113	Plug
PS01 SELECTOR SWITCH BOARD						
PS01	1	1	1	1	YD2930001	P.W. Board, Selector Switch
	1	1	1	1	ZZ2930001	P.W. Board Assembly
SS01	1	1	1	1	SP0806006	Switch, Selector
JS01	1	1	1	1	YP1000113	Plug
JS48	1	1	1	1	YP1000113	Plug
PV51 TAPE IN, OUT BOARD						
PV51	2	2	2	2	YD2930005	P.W. Board, Tape In, Out
	2	2	2	2	ZZ2930005	P.W. Board Assembly
RV51	2	2	2	2	RT0539414	Resistor, 390K Ω $\frac{1}{4}$ W \pm 5%
RV52	2	2	2	2	RT0539414	Resistor, 390K Ω $\frac{1}{4}$ W \pm 5%
RV53	2	2	2	2	RT0510414	Resistor, 100K Ω $\frac{1}{4}$ W \pm 5%
RV54	2	2	2	2	RT0510414	Resistor, 100K Ω $\frac{1}{4}$ W \pm 5%
CV51	2	2	2	2	DK1810301	Ceramic Cap., 0.01 μ F 50V \pm 10%
JV51	2	2	2	2	BY0105005	Terminal, Input
JV52	2	2	2	2	YP1000120	Plug
JV58	2	2	2	2	YP1000120	Plug
P400 EO AMP. BOARD						
P400	1	1	1	1	YD2933002	P.W. Board, EO AMP.
	1	1	1	1	ZZ2930102	P.W. Board Assembly
R401	1	1	1	1	RT0582314	Resistor, 82K Ω \pm 5% $\frac{1}{4}$ W
R402	1	1	1	1	RT0582314	Resistor, 82K Ω \pm 5% $\frac{1}{4}$ W

REF DESIG.	QTY				PARTS NO.	DESCRIPTION
	U	C	E	N		
R403	1	1	1	1	RN0515414	Resistor, 150K Ω \pm 5% $\frac{1}{4}$ W
R404	1	1	1	1	RN0515414	Resistor, 150K Ω \pm 5% $\frac{1}{4}$ W
R405	1	1	1	1	RT0522214	Resistor, 2.2K Ω \pm 5% $\frac{1}{4}$ W
R406	1	1	1	1	RT0522214	Resistor, 2.2K Ω \pm 5% $\frac{1}{4}$ W
R407	1	1	1	1	RT0512314	Resistor, 12K Ω \pm 5% $\frac{1}{4}$ W
R408	1	1	1	1	RT0512314	Resistor, 12K Ω \pm 5% $\frac{1}{4}$ W
R409	1	1	1	1	RT0291114	Resistor, 910 Ω \pm 2% $\frac{1}{4}$ W
R410	1	1	1	1	RT0291114	Resistor, 910 Ω \pm 2% $\frac{1}{4}$ W
R411	1	1	1	1	RN0582314	Resistor, 82K Ω \pm 5% $\frac{1}{4}$ W
R412	1	1	1	1	RN0582314	Resistor, 82K Ω \pm 5% $\frac{1}{4}$ W
R413	1	1	1	1	RN0530214	Resistor, 3K Ω \pm 5% $\frac{1}{4}$ W
R414	1	1	1	1	RN0530214	Resistor, 3K Ω \pm 5% $\frac{1}{4}$ W
R415	1	1	1	1	RT0575314	Resistor, 75K Ω \pm 5% $\frac{1}{4}$ W
R416	1	1	1	1	RT0575314	Resistor, 75K Ω \pm 5% $\frac{1}{4}$ W
R417	1	1	1	1	RT0291414	Resistor, 910K Ω \pm 2% $\frac{1}{4}$ W
R418	1	1	1	1	RT0291414	Resistor, 910K Ω \pm 2% $\frac{1}{4}$ W
R419	1	1	1	1	RT0533114	Resistor, 330 Ω \pm 5% $\frac{1}{4}$ W
R420	1	1	1	1	RT0533114	Resistor, 330 Ω \pm 5% $\frac{1}{4}$ W
R421	1	1	1	1	RT0533014	Resistor, 33 Ω \pm 5% $\frac{1}{4}$ W
R422	1	1	1	1	RT0533014	Resistor, 33 Ω \pm 5% $\frac{1}{4}$ W
R423	1	1	1	1	RT0527414	Resistor, 270K Ω \pm 5% $\frac{1}{4}$ W
R424	1	1	1	1	RT0527414	Resistor, 270K Ω \pm 5% $\frac{1}{4}$ W
R425	1	1	1	1	RT0543114	Resistor, 430 Ω \pm 5% $\frac{1}{4}$ W
R426	1	1	1	1	RT0543114	Resistor, 430 Ω \pm 5% $\frac{1}{4}$ W
R427	1	1	1	1	RT0268314	Resistor, 68K Ω \pm 2% $\frac{1}{4}$ W
R428	1	1	1	1	RT0268314	Resistor, 68K Ω \pm 2% $\frac{1}{4}$ W
R429	1	1	1	1	RT0291314	Resistor, 91K Ω \pm 2% $\frac{1}{4}$ W
R430	1	1	1	1	RT0291314	Resistor, 91K Ω \pm 2% $\frac{1}{4}$ W
R431	1	1	1	1	RC0000012	Resistor, 0 Ω
R432	1	1	1	1	RC0000012	Resistor, 0 Ω
R433	1	1	1	1	RT0522114	Resistor, 220 Ω \pm 5% $\frac{1}{4}$ W
R434	1	1	1	1	RT0522114	Resistor, 220 Ω \pm 5% $\frac{1}{4}$ W
C401	1	1	1	1	EV4750256	Electrolytic Cap., 4.7 μ F 25V
C402	1	1	1	1	EV4750256	Electrolytic Cap., 4.7 μ F 25V
C403	1	1	1	1	DD1539001	Ceramic Cap., 39PF \pm 5% 50V
C404	1	1	1	1	DD1539001	Ceramic Cap., 39PF \pm 5% 50V
C405	1	1	1	1	DK1633101	Ceramic Cap., 330PF \pm 10% 50V
C406	1	1	1	1	DK1633101	Ceramic Cap., 330PF \pm 10% 50V
C407	1	1	1	1	EV3360106	Electrolytic Cap., 33 μ F 10V
C408	1	1	1	1	EV3360106	Electrolytic Cap., 33 μ F 10V
C409	1	1	1	1	DD1104001	Ceramic Cap., 4PF \pm 0.5PF 50V
C410	1	1	1	1	DD1104001	Ceramic Cap., 4PF \pm 0.5PF 50V
C411	1	1	1	1	DF1710552	Film Cap., 1 μ F \pm 20% 250V
C412	1	1	1	1	DF1710552	Film Cap., 1 μ F \pm 20% 250V
C413	1	1	1	1	DF1411201	Film Cap., 1100PF \pm 2% 100V
C414	1	1	1	1	DF1411201	Film Cap., 1100PF \pm 2% 100V
C415	1	1	1	1	DF1436201	Film Cap., 3600PF \pm 2% 100V
C416	1	1	1	1	DF1436201	Film Cap., 3600PF \pm 2% 100V
C417	1	1	1	1	EV1050352	Electrolytic Cap., 1 μ F 35V
C418	1	1	1	1	EV1050352	Electrolytic Cap., 1 μ F 35V
C419	1	1	1	1	DD1510101	Ceramic Cap., 100PF \pm 5% 50V
C420	1	1	1	1	DD1510101	Ceramic Cap., 100PF \pm 5% 50V
C421	1	1	1	1	DK1840301	Ceramic Cap., 0.04 μ F \pm 10%
C422	1	1	1	1	DK1840301	Ceramic Cap., 0.04 μ F \pm 10%
C423	1	1	1	1	DK1633101	Ceramic Cap., 330PF \pm 10% 50V
C424	1	1	1	1	DK1633101	Ceramic Cap., 330PF \pm 10% 50V
H401	1	1	1	1	HT108721D	Transistor, 2SA872A (D) or (E)
H402	1	1	1	1	HT108721D	Transistor, 2SA872A (D) or (E)
H403	1	1	1	1	HT108721D	Transistor, 2SA872A (D) or (E)
H404	1	1	1	1	HT108721D	Transistor, 2SA872A (D) or (E)

U: For U.S.A.
 C: For Canada
 E: For Europe
 N: For Scandinavia

REF DESIG.	QTY				PARTS NO.	DESCRIPTION
	U	C	E	N		
H405	1	1	1	1	HT318851S	Transistor, 2SC1885 S.T.
H406	1	1	1	1	HT318851S	Transistor, 2SC1885 S.T.
H407	1	1	1	1	HT109121S	Transistor, 2SA912 S.T.
H408	1	1	1	1	HT109121S	Transistor, 2SA912 S.T.
J401	1	1	1	1	YP1000113	Plug
J416	1	1	1	1	YP1000113	Plug
PD01 TONE AMP. BOARD						
PD01	1	1	1	1	YD2930002	P.W. Board, Tone Amp.
	1	1	1	1	ZZ2930002	P.W. Board Assembly
RD01	1	1	1	1	GD0539114	Resistor, 390Ω %W ±5%
RD02	1	1	1	1	GD0539114	Resistor, 390Ω %W ±5%
RD03	1	1	1	1	GD0539114	Resistor, 390Ω %W ±5%
RD04	1	1	1	1	GD0539114	Resistor, 390Ω %W ±5%
RD05	1	1	1	1	GD0524414	Resistor, 240KΩ %W ±5%
RD06	1	1	1	1	GD0524414	Resistor, 240KΩ %W ±5%
RD07	1	1	1	1	GD0524414	Resistor, 240KΩ %W ±5%
RD08	1	1	1	1	GD0524414	Resistor, 240KΩ %W ±5%
RD09	1	1	1	1	GD0515514	Resistor, 1.5MΩ %W ±5%
RD10	1	1	1	1	GD0515514	Resistor, 1.5MΩ %W ±5%
RD11	1	1	1	1	GD0515514	Resistor, 1.5MΩ %W ±5%
RD12	1	1	1	1	GD0515514	Resistor, 1.5MΩ %W ±5%
RD13	1	1	1	1	GD0527314	Resistor, 27KΩ %W ±5%
RD14	1	1	1	1	GD0527314	Resistor, 27KΩ %W ±5%
RD15	1	1	1	1	GD0527314	Resistor, 27KΩ %W ±5%
RD16	1	1	1	1	GD0527314	Resistor, 27KΩ %W ±5%
RD17	1	1	1	1	GD0582014	Resistor, 82Ω %W ±5%
RD18	1	1	1	1	GD0582014	Resistor, 82Ω %W ±5%
RD19	1	1	1	1	GD0582014	Resistor, 82Ω %W ±5%
RD20	1	1	1	1	GD0582014	Resistor, 82Ω %W ±5%
RD21	1	1	1	1	GD0547414	Resistor, 470KΩ %W ±5%
RD22	1	1	1	1	GD0547414	Resistor, 470KΩ %W ±5%
RD23	1	1	1	1	GD0547414	Resistor, 470KΩ %W ±5%
RD24	1	1	1	1	GD0547414	Resistor, 470KΩ %W ±5%
RD25	1	1	1	1	GD0522114	Resistor, 220Ω %W ±5%
RD26	1	1	1	1	GD0522114	Resistor, 220Ω %W ±5%
RD27	1	1	1	1	GD0522114	Resistor, 220Ω %W ±5%
RD28	1	1	1	1	GD0522114	Resistor, 220Ω %W ±5%
RD29	1	1	1	1	RT0515014	Resistor, 15Ω %W ±5%
RD30	1	1	1	1	RT0515014	Resistor, 15Ω %W ±5%
RD31	1	1	1	1	GD0543314	Resistor, 43KΩ %W ±5%
CD15	1	1	1	1	DF1710405	Film Cap., 0.1μF 50V ±20%
CD01	1	1	1	1	DF1610405	Film Cap., 0.1μF 50V ±10%
CD02	1	1	1	1	DF1610405	Film Cap., 0.1μF 50V ±10%
CD03	1	1	1	1	DF1610405	Film Cap., 0.1μF 50V ±10%
CD04	1	1	1	1	DF1610405	Film Cap., 0.1μF 50V ±10%
CD05	1	1	1	1	EV4750356	Electrolytic Cap., 4.7μF 35V ±20%
CD06	1	1	1	1	EV4750356	Electrolytic Cap., 4.7μF 35V ±20%
CD07	1	1	1	1	EV4750356	Electrolytic Cap., 4.7μF 35V ±20%
CD08	1	1	1	1	EV4750356	Electrolytic Cap., 4.7μF 35V ±20%
CD09	1	1	1	1	ED1070501	Electrolytic Cap., 100μF 50V ±10%
CD10	1	1	1	1	ED1070501	Electrolytic Cap., 100μF 50V ±10%
CD11	1	1	1	1	DD1104001	Ceramic Cap., 4PF 50V ±0.5PF
CD12	1	1	1	1	DD1104001	Ceramic Cap., 4PF 50V ±0.5PF
CD13	1	1	1	1	DD1104001	Ceramic Cap., 4PF 50V ±0.5PF
CD14	1	1	1	1	DD1104001	Ceramic Cap., 4PF 50V ±0.5PF
HD01	1	1	1	1	HT317752E	Transistor, 2SC1775(A) E or F
HD02	1	1	1	1	HT317752E	Transistor, 2SC1775(A) E or F

REF DESIG.	QTY				PARTS NO.	DESCRIPTION
	U	C	E	N		
HD03	1	1	1	1	HT317752E	Transistor, 2SC1775(A) E or F
HD04	1	1	1	1	HT317752E	Transistor, 2SC1775(A) E or F
HD05	1	1	1	1	HT109121S	Transistor, 2SA912 R.S.T.
HD06	1	1	1	1	HT109121S	Transistor, 2SA912 R.S.T.
HD07	1	1	1	1	HT109121S	Transistor, 2SA912 R.S.T.
HD08	1	1	1	1	HT109121S	Transistor, 2SA912 R.S.T.
HD09	1	1	1	1	HT318851S	Transistor, 2SC1885 R.S.T.
HD10	1	1	1	1	HT318851S	Transistor, 2SC1885 R.S.T.
HD11	1	1	1	1	HT318851S	Transistor, 2SC1885 R.S.T.
HD12	1	1	1	1	HT318851S	Transistor, 2SC1885 R.S.T.
HD13	1	1	1	1	HV0000606	Diode, HV1222
JD01	1	1	1	1	YP1000126	Plug
JD02	1	1	1	1	YP1000126	Plug
PE01 TONE AMP. BOARD						
PE01	1	1	1	1	YD2933005	P.W. Board, Tone Amp.
	1	1	1	1	ZZ2930105	P.W. Board Assembly
RE01	1	1	1	1	RT0510514	Resistor, 1MΩ ±5% %W
RE02	1	1	1	1	RT0510514	Resistor, 1MΩ ±5% %W
RE03	1	1	1	1	RT0522214	Resistor, 2.2KΩ ±5% %W
RE04	1	1	1	1	RT0522214	Resistor, 2.2KΩ ±5% %W
RE05	1	1	1	1	RT0510414	Resistor, 100KΩ ±5% %W
RE06	1	1	1	1	RT0510414	Resistor, 100KΩ ±5% %W
RE07	1	1	1	1	RT0527314	Resistor, 27KΩ ±5% %W
RE08	1	1	1	1	RT0527314	Resistor, 27KΩ ±5% %W
RE11	1	1	1	1	RT0210314	Resistor, 10KΩ ±2% %W
RE12	1	1	1	1	RT0210314	Resistor, 10KΩ ±2% %W
RE13	1	1	1	1	RT0291314	Resistor, 91KΩ ±2% %W
RE14	1	1	1	1	RT0291314	Resistor, 91KΩ ±2% %W
RE15	1	1	1	1	RT0647214	Resistor, 4.7KΩ ±5% %W
RE16	1	1	1	1	RT0647214	Resistor, 4.7KΩ ±5% %W
RE17	1	1	1	1	RT0647114	Resistor, 470Ω ±5% %W
RE18	1	1	1	1	RT0647114	Resistor, 470Ω ±5% %W
RE19	1	1	1	1	RT0522414	Resistor, 220KΩ ±5% %W
RE20	1	1	1	1	RT0522414	Resistor, 220KΩ ±5% %W
RE21	1	1	1	1	RT0522214	Resistor, 2.2KΩ ±5% %W
RE22	1	1	1	1	RT0522214	Resistor, 2.2KΩ ±5% %W
RE23	1	1	1	1	RT0512414	Resistor, 120KΩ ±5% %W
RE24	1	1	1	1	RT0512414	Resistor, 120KΩ ±5% %W
RE27	1	1	1	1	RT0512314	Resistor, 12KΩ ±5% %W
RE28	1	1	1	1	RT0512314	Resistor, 12KΩ ±5% %W
RE29	1	1	1	1	RT0539314	Resistor, 39KΩ ±5% %W
RE30	1	1	1	1	RT0539314	Resistor, 39KΩ ±5% %W
RE31	1	1	1	1	RT0510514	Resistor, 1MΩ ±5% %W
RE32	1	1	1	1	RT0510514	Resistor, 1MΩ ±5% %W
RE33	1	1	1	1	RT0568214	Resistor, 6.8KΩ ±5% %W
RE34	1	1	1	1	RT0568214	Resistor, 6.8KΩ ±5% %W
RE35	1	1	1	1	RT0533014	Resistor, 33Ω ±5% %W
RE36	1	1	1	1	RT0533014	Resistor, 33Ω ±5% %W
RE37	1	1	1	1	RT0510114	Resistor, 100Ω ±5% %W
RE38	1	1	1	1	RT0510114	Resistor, 100Ω ±5% %W
RE39	1	1	1	1	RC0000012	Resistor, 0Ω ±5% %W
CE01	1	1	1	1	EV1050255	Film Cap., 1μF ±20% 25V
CE02	1	1	1	1	EV1050255	Film Cap., 1μF ±20% 25V
CE03	1	1	1	1	DD1610101	Ceramic Cap., 100PF ±10% 50V
CE04	1	1	1	1	DD1610101	Ceramic Cap., 100PF ±10% 50V
CE05	1	1	1	1	DD1104001	Ceramic Cap., 4PF ±0.5PF 50V
CE06	1	1	1	1	DD1104001	Ceramic Cap., 4PF ±0.5PF 50V
CE07	1	1	1	1	EV3360106	Electrolytic Cap., 33μF 10V

U: For U.S.A.
 C: For Canada
 E: For Europe
 N: For Scandinavia

REF DESIG.	QTY				PARTS NO.	DESCRIPTION
	U	C	E	N		
CE08	1	1	1	1	EV3360106	Electrolytic Cap., 33 μ F 10V
CE09	1	1	1	1	EV4750256	Electrolytic Cap., 4.7 μ F 25V
CE10	1	1	1	1	EV4750256	Electrolytic Cap., 4.7 μ F 25V
CE11	1	1	1	1	EA1070109	Electrolytic Cap., 100 μ F 10V
CE12	1	1	1	1	EA1070109	Electrolytic Cap., 100 μ F 10V
CE13	1	1	1	1	EV2250256	Electrolytic Cap., 2.2 μ F \pm 20% 25V
CE14	1	1	1	1	EV2250256	Electrolytic Cap., 2.2 μ F \pm 20% 25V
CE15	1	1	1	1	DD1104001	Ceramic Cap., 4PF \pm 0.5% 50V
CE16	1	1	1	1	DD1104001	Ceramic Cap., 4PF \pm 0.5% 50V
CE17	1	1	1	1	DD1610001	Ceramic Cap., 10PF \pm 10% 50V
CE18	1	1	1	1	DD1610001	Ceramic Cap., 10PF \pm 10% 50V
CE19	1	1	1	1	EV3360106	Electrolytic Cap., 33 μ F 10V
CE20	1	1	1	1	EV3360106	Electrolytic Cap., 33 μ F 10V
CE21	1	1	1	1	EV1050352	Electrolytic Cap., 1 μ F 35V
CE22	1	1	1	1	EV1050352	Electrolytic Cap., 1 μ F 35V
CE23	1	1	1	1	EA1070259	Electrolytic Cap., 100 μ F 25V
CE24	1	1	1	1	EA1070259	Electrolytic Cap., 100 μ F 25V
CE25	1	1	1	1	DD1205005	Ceramic Cap., 5PF \pm 1PF 50V
CE26	1	1	1	1	DD1205005	Ceramic Cap., 5PF \pm 1PF 50V
CE27	1	1	1	1	EV4750256	Electrolytic Cap., 4.7 μ F \pm 20% 25V
CE28	1	1	1	1	EV4750256	Electrolytic Cap., 4.7 μ F \pm 20% 25V
HE01	1	1	1	1	HT108361E	Transistor, 2SA836 E or F
HE02	1	1	1	1	HT108361E	Transistor, 2SA836 E or F
HE03	1	1	1	1	HT108361E	Transistor, 2SA836 E or F
HE04	1	1	1	1	HT108361E	Transistor, 2SA836 E or F
HE05	1	1	1	1	HT313452A	Transistor, 2SC1345 D or E
HE06	1	1	1	1	HT313452A	Transistor, 2SC1345 D or E
HE07	1	1	1	1	HT108361D	Transistor, 2SA836 D or E
HE08	1	1	1	1	HT108361D	Transistor, 2SA836 D or E
HE09	1	1	1	1	HT108361D	Transistor, 2SA836 D or F
HE10	1	1	1	1	HT108361D	Transistor, 2SA836 D or F
HE11	1	1	1	1	HT313452A	Transistor, 2SC1345 D or E
HE12	1	1	1	1	HT313452A	Transistor, 2SC1345 D or E
JE01	1	1	1	1	YP1000113	Plug
JE13	1	1	1	1	YP1000113	Plug
PH01	1	1	1	1	YD2933004 ZZ2930104	P.W. Board, Filter Amp. P.W. Board Assembly
RH31	1	1	1	1	GD0556414	Resistor, 560K Ω \pm 5% $\frac{1}{4}$ W
RH32	1	1	1	1	GD0510514	Resistor, 1M Ω \pm 5% $\frac{1}{4}$ W
RH33	1	1	1	1	GD0510514	Resistor, 1M Ω \pm 5% $\frac{1}{4}$ W
RH01	1	1	1	1	GD0510014	Resistor, 10 Ω \pm 5% $\frac{1}{4}$ W
RH02	1	1	1	1	GD0510014	Resistor, 10 Ω \pm 5% $\frac{1}{4}$ W
RH03	1	1	1	1	GD0568414	Resistor, 680K Ω \pm 5% $\frac{1}{4}$ W
RH04	1	1	1	1	GD0568414	Resistor, 680K Ω \pm 5% $\frac{1}{4}$ W
RH05	1	1	1	1	GD0512314	Resistor, 12K Ω \pm 5% $\frac{1}{4}$ W
RH06	1	1	1	1	GD0512314	Resistor, 12K Ω \pm 5% $\frac{1}{4}$ W
RH07	1	1	1	1	GD0527314	Resistor, 27K Ω \pm 5% $\frac{1}{4}$ W
RH08	1	1	1	1	GD0527314	Resistor, 27K Ω \pm 5% $\frac{1}{4}$ W
RH09	1	1	1	1	GD0520414	Resistor, 200K Ω \pm 5% $\frac{1}{4}$ W
RH10	1	1	1	1	GD0520414	Resistor, 200K Ω \pm 5% $\frac{1}{4}$ W
RH11	1	1	1	1	GD0551414	Resistor, 510K Ω \pm 5% $\frac{1}{4}$ W
RH12	1	1	1	1	GD0551414	Resistor, 510K Ω \pm 5% $\frac{1}{4}$ W
RH13	1	1	1	1	GD0568214	Resistor, 6.8K Ω \pm 5% $\frac{1}{4}$ W
RH14	1	1	1	1	GD0568214	Resistor, 6.8K Ω \pm 5% $\frac{1}{4}$ W
RH15	1	1	1	1	GD0510314	Resistor, 10K Ω \pm 5% $\frac{1}{4}$ W
RH16	1	1	1	1	GD0510314	Resistor, 10K Ω \pm 5% $\frac{1}{4}$ W

REF DESIG.	QTY				PARTS NO.	DESCRIPTION
	U	C	E	N		
RH17	1	1	1	1	GD0510414	Resistor, 100K Ω \pm 5% $\frac{1}{4}$ W
RH18	1	1	1	1	GD0510414	Resistor, 100K Ω \pm 5% $\frac{1}{4}$ W
RH19	1	1	1	1	GD0547114	Resistor, 470 Ω \pm 5% $\frac{1}{4}$ W
RH20	1	1	1	1	GD0547114	Resistor, 470 Ω \pm 5% $\frac{1}{4}$ W
RH21	1	1	1	1	GD0515314	Resistor, 15K Ω \pm 5% $\frac{1}{4}$ W
RH22	1	1	1	1	GD0515314	Resistor, 15K Ω \pm 5% $\frac{1}{4}$ W
RH23	1	1	1	1	GD0543214	Resistor, 4.3K Ω \pm 5% $\frac{1}{4}$ W
RH24	1	1	1	1	GD0543214	Resistor, 4.3K Ω \pm 5% $\frac{1}{4}$ W
RH25	1	1	1	1	RC0000014	Resistor, 0 Ω
RH26	1	1	1	1	RC0000014	Resistor, 0 Ω
RH27	1	1	1	1	RC0000014	Resistor, 0 Ω
RH28	1	1	1	1	GD0556414	Resistor, 560K Ω \pm 5% $\frac{1}{4}$ W
RH29	1	1	1	1	GD0556414	Resistor, 560K Ω \pm 5% $\frac{1}{4}$ W
RH30	1	1	1	1	GD0556414	Resistor, 560K Ω \pm 5% $\frac{1}{4}$ W
CH01	1	1	1	1	DF1568301	Film Cap., 0.068 μ F \pm 5% 50V
CH02	1	1	1	1	DF1568301	Film Cap., 0.068 μ F \pm 5% 50V
CH03	1	1	1	1	DF1568301	Film Cap., 0.068 μ F \pm 5% 50V
CH04	1	1	1	1	DF1568301	Film Cap., 0.068 μ F \pm 5% 50V
CH05	1	1	1	1	DF1518201	Film Cap., 1800PF \pm 5% 50V
CH06	1	1	1	1	DF1518201	Film Cap., 1800PF \pm 5% 50V
CH07	1	1	1	1	DF1515201	Film Cap., 0.0015 μ F \pm 5% 50V
CH08	1	1	1	1	DF1515201	Film Cap., 0.0015 μ F \pm 5% 50V
CH09	1	1	1	1	DF1512201	Film Cap., 0.0012 μ F \pm 5% 50V
CH10	1	1	1	1	DF1512201	Film Cap., 0.0012 μ F \pm 5% 50V
CH11	1	1	1	1	DF1512201	Film Cap., 1200PF \pm 5% 50V
CH12	1	1	1	1	DF1512201	Film Cap., 1200PF \pm 5% 50V
CH13	1	1	1	1	DF1527301	Film Cap., 0.027 μ F \pm 5% 50V
CH14	1	1	1	1	DF1527301	Film Cap., 0.027 μ F \pm 5% 50V
CH15	1	1	1	1	DF1510301	Film Cap., 0.01 μ F \pm 5% 50V
CH16	1	1	1	1	DF1510301	Film Cap., 0.01 μ F \pm 5% 50V
CH17	1	1	1	1	DF1722401	Film Cap., 0.22 μ F \pm 20% 50V
CH18	1	1	1	1	DF1722401	Film Cap., 0.22 μ F \pm 20% 50V
CH19	1	1	1	1	DF6568101	Film Cap., 680PF \pm 5% 50V
CH20	1	1	1	1	DF6568101	Film Cap., 680PF \pm 5% 50V
CH21	1	1	1	1	EV4750356	Film Cap., 4.7 μ F 35V
CH22	1	1	1	1	EV4750356	Film Cap., 4.7 μ F 35V
CH23	1	1	1	1	DF1610401	Film Cap., 0.1 μ F \pm 10% 50V
CH24	1	1	1	1	DF1610401	Film Cap., 0.1 μ F \pm 10% 50V
CH25	1	1	1	1	DF1512205	Ceramic Cap., 1200PF \pm 5% 50V
CH26	1	1	1	1	DF1512205	Ceramic Cap., 1200PF \pm 5% 50V
CH27	1	1	1	1	DK1840302	Ceramic Cap., 0.04 μ F \pm 10% 50V
CH28	1	1	1	1	DK1840302	Ceramic Cap., 0.04 μ F \pm 10% 50V
CH29	1	1	1	1	DD1104001	Ceramic Cap., 4PF \pm 0.5PF 50V
CH30	1	1	1	1	DD1104001	Ceramic Cap., 4PF \pm 0.5PF 50V
CH31	1	1	1	1	DF1515201	Ceramic Cap., 1500PF \pm 5% 50V
CH32	1	1	1	1	DF1515201	Ceramic Cap., 1500PF \pm 5% 50V
HH01	1	1	1	1	HT108362A	Transistor, 2SA836 D or E
HH02	1	1	1	1	HT108362A	Transistor, 2SA836 D or E
HH03	1	1	1	1	HT313452A	Transistor, 2SC1345 D or E
HH04	1	1	1	1	HT313452A	Transistor, 2SC1345 D or E
SH01	1	1	1	1	5P0406007	Push Switch
JH01	1	1	1	1	YP0600036	Plug
JH02	1	1	1	1	YP1000113	Plug
JH24	1	1	1	1	YP1000113	Plug
PF01	2	2	2	2	YD2933006 ZZ2933006	P.W. Board, Tone Volume P.W. Board Assembly

U: For U.S.A.
 C: For Canada
 E: For Europe
 N: For Scandinavia

REF DESIG.	QTY				PARTS NO.	DESCRIPTION
	U	C	E	N		
RF01	2	2	2	2	RX0104003	Variable Resistor, 100KΩ (B)
RF02	2	2	2	2	RX0104003	Variable Resistor, 100KΩ (B)
RF03	2	2	2	2	RX0104003	Variable Resistor, 100KΩ (B)
RF04	2	2	2	2	GD0518314	Resistor, 18KΩ ±5% ¼W
RF05	2	2	2	2	GD0518314	Resistor, 18KΩ ±5% ¼W
RF06	2	2	2	2	GD0527314	Resistor, 27KΩ ±5% ¼W
RF07	2	2	2	2	GD0527314	Resistor, 27KΩ ±5% ¼W
RF08	2	2	2	2	GD0556214	Resistor, 5.6KΩ ±5% ¼W
RF09	2	2	2	2	GD0556214	Resistor, 5.6KΩ ±5% ¼W
RF10	2	2	2	2	RC0000012	Resistor, 0Ω
RF11	2	2	2	2	GD0527214	Resistor, 2.7KΩ ±5% ¼W
RF12	2	2	2	2	GD0556214	Resistor, 5.6KΩ ±5% ¼W
RF13	2	2	2	2	GD0556214	Resistor, 5.6KΩ ±5% ¼W
RF14	2	2	2	2	GD0539414	Resistor, 390KΩ ±5% ¼W
CF01	2	2	2	2	DF1515301	Film Cap., 0.015µF ±5% 50V
CF02	2	2	2	2	DF1515301	Film Cap., 0.015µF ±5% 50V
CF03	2	2	2	2	DF1568201	Film Cap., 0.0068µF ±5% 50V
CF04	2	2	2	2	DF6539101	Film Cap., 390PF ±5% 50V
CF05	2	2	2	2	DF1582201	Film Cap., 0.0082µF ±5% 50V
CF06	2	2	2	2	DF1510301	Film Cap., 0.01µF ±5% 50V
CF07	2	2	2	2	DF1510301	Film Cap., 0.01µF ±5% 50V
JF01	2	2	2	2	YP1000113	Plug
JF11	2	2	2	2	YP1000113	Plug
P700	2	2	2	2	YD2917003	P.W. Board, Main Amp.
	2	2	2	2	ZZ2930103	P.W. Board Assembly
R701	2	2	2	2	RT0547414	Resistor, 470KΩ ±5% ¼W
R702	2	2	2	2	RT0510214	Resistor, 1KΩ ±5% ¼W
R703	2	2	2	2	RT0510414	Resistor, 100KΩ ±5% ¼W
R704	2	2	2	2	RT0515114	Resistor, 150Ω ±5% ¼W
R705	2	2	2	2	RT0515314	Resistor, 15KΩ ±5% ¼W
R706	2	2	2	2	RT0539214	Resistor, 3.9KΩ ±5% ¼W
R707	2	2	2	2	GU0510312	Resistor, 10KΩ ±5% ¼W
R708	2	2	2	2	RT0510314	Resistor, 10KΩ ±5% ¼W
R709	2	2	2	2	RT0510214	Resistor, 1KΩ ±5% ¼W
R710	2	2	2	2	RT0522414	Resistor, 220KΩ ±5% ¼W
R711	2	2	2	2	RT0562214	Resistor, 6.2KΩ ±5% ¼W
R712	2	2	2	2	RT0513314	Resistor, 13KΩ ±5% ¼W
R713	2	2	2	2	RT0512214	Resistor, 1.2KΩ ±5% ¼W
R714	2	2	2	2	RT0510114	Resistor, 100Ω ±5% ¼W
R715	2	2	2	2	RT0556014	Resistor, 56Ω ±5% ¼W
R716	2	2	2	2	GJ0515201	Resistor, 1.5KΩ ±5% 1W
R717	2	2	2	2	GJ0515201	Resistor, 1.5KΩ ±5% 1W
R718	2	2	2	2	RT0558114	Resistor, 680Ω ±5% ¼W
R719	2	2	2	2	RT0558114	Resistor, 680Ω ±5% ¼W
R720	2	2	2	2	RT0530114	Resistor, 300Ω ±5% ¼W
R721	2	2	2	2	RT0527314	Resistor, 27KΩ ±5% ¼W
R722	2	2	2	2	RT0527314	Resistor, 27KΩ ±5% ¼W
R723	2	2	2	2	RT0510414	Resistor, 100KΩ ±5% ¼W
R724	2	2	2	2	RT0547314	Resistor, 47KΩ ±5% ¼W
R725	2	2	2	2	RT0510114	Resistor, 100Ω ±5% ¼W
R726	2	2	2	2	RT0510114	Resistor, 100Ω ±5% ¼W
R727	2	2	2	2	RT0502214	Resistor, 2.2Ω ±5% ¼W
R728	2	2	2	2	RC0000012	Resistor, 0Ω ±5% ¼W
R729	2	2	2	2	RT0510214	Resistor, 1KΩ ±5% ¼W
R730	2	2	2	2	RT0533214	Resistor, 3.3KΩ ±5% ¼W

REF DESIG.	QTY				PARTS NO.	DESCRIPTION
	U	C	E	N		
R731	2	2	2	2	RT0533214	Resistor, 3.3KΩ ±5% ¼W
R732	2	2	2	2	RT0518114	Resistor, 180Ω ±5% ¼W
R733	2	2	2	2	RT0515114	Resistor, 150Ω ±5% ¼W
R734	2	2	2	2	GF0510112	Resistor, 100Ω ±5% ¼W
R735	2	2	2	2	GF0510112	Resistor, 100Ω ±5% ¼W
R736	2	2	2	2	RT0510114	Resistor, 100Ω ±5% ¼W
R737	2	2	2	2	RT0510114	Resistor, 100Ω ±5% ¼W
R738	2	2	2	2	GJ0502202	Resistor, 2.2Ω ±5% 2W
R739	2	2	2	2	GJ0510002	Resistor, 10Ω ±5% 2W
R740	2	2	2	2	BX1020201	Resistor, 0.2+0.2Ω 5W
R741	2	2	2	2	RA0202013	Trimming Resistor, 2KΩ (B)
R742	2	2	2	2	RA0202013	Trimming Resistor, 2KΩ (B)
R743	2	2	2	2	RC0000012	Resistor, 0Ω
R745	2	2	2	2	RT0556114	Resistor, 560Ω ±5% ¼W
R747	2	2	2	2	RT0582014	Resistor, 82Ω ±5% ¼W
L701	2	2	2	2	LC2202001	Choke Coil, 2µH
C701	2	2	2	2	DF1710552	Film Cap., 1µF ±20% 250V
C702	2	2	2	2	EE4760162	Electrolytic Cap., 47µF ±20% 16V
C703	2	2	2	2	EA1060169	Electrolytic Cap., 10µF ±15% 16V
C704	2	2	2	2	EA1060169	Electrolytic Cap., 10µF ±15% 16V
C705	2	2	2	2	DD1510101	Ceramic Cap., 100PF ±5% 50V
C706	2	2	2	2	DK1610201	Ceramic Cap., 1000PF ±10% 50V
C707	2	2	2	2	DK1622151	Ceramic Cap., 220PF ±10% 500V
C708	2	2	2	2	DD1105050	Ceramic Cap., 5PF ±0.25P 500V
C709	2	2	2	2	DD1515150	Ceramic Cap., 150PF ±5% 500V
C710	2	2	2	2	DF1710452	Film Cap., 0.1µF ±20% 200V
C711	2	2	2	2	DF1710452	Film Cap., 0.1µF ±20% 200V
C712	2	2	2	2	DF1710452	Film Cap., 0.1µF ±20% 200V
C713	2	2	2	2	DD1647050	Ceramic Cap., 47PF ±10% 500V
C714	2	2	2	2	DD1647050	Ceramic Cap., 47PF ±10% 500V
C715	2	2	2	2	DF1722305	Ceramic Cap., 0.022µF ±20% 50V
C716	2	2	2	2	DF1722305	Ceramic Cap., 0.022µF ±20% 50V
C717	2	2	2	2	DF1710405	Film Cap., 0.1µF ±20% 50V
C718	2	2	2	2	DF1710405	Film Cap., 0.1µF ±20% 50V
C719	2	2	2	2	DF1710405	Film Cap., 0.1µF ±20% 50V
C720	2	2	2	2	DF1710351	Film Cap., 0.01µF ±20% 200V
C721	2	2	2	2	DK1650150	Ceramic Cap., 500PF ±10% 500V
H701	2	2	2	2	HT313271T	Transistor, 2SC1327 T.U.
H702	2	2	2	2	HT313271T	Transistor, 2SC1327 T.U.
H703	2	2	2	2	HT107212A	Transistor, 2SA721 S.T.
H704	2	2	2	2	HT313272A	Transistor, 2SC1327 S.T.
H705	2	2	2	2	HT309452A	Transistor, 2SC945 Q.R.
H706	2	2	2	2	HT107332A	Transistor, 2SA733 P.Q.
H707	2	2	2	2	HT309452A	Transistor, 2SC945 Q.R.
H708	2	2	2	2	HT107332A	Transistor, 2SA733 P.Q.
H709	2	2	2	2	HT304961B	Transistor, 2SC496 O.
H710	2	2	2	2	HV0000705	Varistor, S3016R
H711	2	2	2	2	HT107941Q	Transistor, 2SA794 Q.R.
H712	2	2	2	2	HT315671Q	Transistor, 2SC1567 Q.R.
H713	2	2	2	2	HT316251A	Transistor, 2SC1625 O.Y.
H714	2	2	2	2	HT108151A	Transistor, 2SA815 O.Y.
H715	2	2	2	2	HD3002509	Diode, WZ-150(15V ±5%)
H716	2	2	2	2	HD3002509	Diode, WZ-150(15V ±5%)
H717	2	2	2	2	HD2000321	Diode, 1S2471 (Black)
H718	2	2	2	2	HD2000321	Diode, 1S2471 (Black)
H720	2	2	2	2	HD2001105	Diode, 1S1555
H721	2	2	2	2	HD2001105	Diode, 1S1555
H719	2	2	2	2	HH0000703	Thermistor, SDT100(1KΩ @ 25°C)
H722	2	2	2	2	HH0000703	Thermistor, SDT100(1KΩ @ 25°C)
H723	2	2	2	2	HH0000703	Thermistor, SDT100(1KΩ @ 25°C)

U: For U.S.A.
 C: For Canada
 E: For Europe
 N: For Scandinavia

REF DESIG.	QTY				PARTS NO.	DESCRIPTION
	U	C	E	N		
J701 ? J712	2	2	2	2	YP1000109	
PN01	1	1	1	1	YD2933007 ZZ2930107	PN01 RELAY BOARD P.W. Board, Relay P.W. Board Assembly
RN01	1	1	1	1	GU0556212	Resistor, 5.6KΩ ±5% 1/4W
RN02	1	1	1	1	GU0556212	Resistor, 5.6KΩ ±5% 1/4W
RN03	1	1	1	1	RT0527314	Resistor, 27KΩ ±5% 1/4W
RN04	1	1	1	1	RT0533214	Resistor, 3.3KΩ ±5% 1/4W
RN05	1	1	1	1	RT0575314	Resistor, 75KΩ ±5% 1/4W
RN06	1	1	1	1	RT0547414	Resistor, 470KΩ ±5% 1/4W
RN07	1	1	1	1	RT0539314	Resistor, 39KΩ ±5% 1/4W
RN08	1	1	1	1	GJ0547101	Resistor, 470Ω ±5% 1W
RN09	1	1	1	1	GJ0533102	Resistor, 330Ω ±5% 1W
RN10	1	1	1	1	GJ0533102	Resistor, 330Ω ±5% 1W
RN11	1	1	1	1	GJ0515101	Resistor, 150Ω ±5% 1W
RN12	1	1	1	1	GJ0515101	Resistor, 150Ω ±5% 1W
CN01	1	1	1	1	DK1810351	Ceramic Cap., 0.01μF 500V
CN02	1	1	1	1	DK1810351	Ceramic Cap., 0.01μF 500V
CN03	1	1	1	1	EA1060509	Electrolytic Cap., 10μF 50V
CN04	1	1	1	1	EA4760169	Electrolytic Cap., 47μF 16V
CN05	1	1	1	1	EA2270109	Electrolytic Cap., 220μF 10V
LN01	1	1	1	1	LY2024006	Relay, MY2 24V
HN01	1	1	1	1	HD2001103	Diode, DS131B
HN02	1	1	1	1	HT309452A	Transistor, 2SC945 Q.R.
HN03	1	1	1	1	HT313183A	Transistor, 2SC1818 P.Q.R.
HN04	1	1	1	1	HT313183A	Transistor, 2SC1818 P.Q.R.
HN05	1	1	1	1	HD2000110	Diode, 10D-2
JN01 ? JN14	1	1	1	1	YP1000120	Plug
P800	1	1	1	1	YD2933008 ZZ2930108	P800 POWER SUPPLY BOARD P.W. Board, Power Supply P.W. Board Assembly
R801	1	1	1	1	RC0000012	Resistor, 0Ω
R802	1	1	1	1	GF0504712	Resistor, 4.7Ω ±10% 1/4W
R803	1	1	1	1	GF0504712	Resistor, 4.7Ω ±10% 1/4W
R804	1	1	1	1	RT0582214	Resistor, 8.2KΩ ±5% 1/4W
R805	1	1	1	1	RT0582214	Resistor, 8.2KΩ ±5% 1/4W
R806	1	1	1	1	RT0568214	Resistor, 6.8KΩ ±5% 1/4W
R807	1	1	1	1	RT0568214	Resistor, 6.8KΩ ±5% 1/4W
R808	1	1	1	1	RT0510214	Resistor, 1KΩ ±5% 1/4W
R809	1	1	1	1	RT0510214	Resistor, 1KΩ ±5% 1/4W
R810	1	1	1	1	GU0527212	Resistor, 2.7KΩ ±5% 1/4W
R811	1	1	1	1	RT0533314	Resistor, 33KΩ ±5% 1/4W
R812	1	1	1	1	RT0533314	Resistor, 33KΩ ±5% 1/4W
R813	1	1	1	1	RT0512314	Resistor, 12KΩ ±5% 1/4W
R814	1	1	1	1	RT0533314	Resistor, 33KΩ ±5% 1/4W
R815	1	1	1	1	RA0502013	Trimming Resistor, 4.7KΩ(B) 0.15W
R816	1	1	1	1	RA0502013	Trimming Resistor, 4.7KΩ(B) 0.15W
R817	1	1	1	1	GJ0510103	Resistor, 100Ω ±5% 3W
R818	1	1	1	1	RT0522114	Resistor, 220Ω ±5% 1/4W
R819	1	1	1	1	RT0530214	Resistor, 3KΩ ±5% 1/4W
R820	1	1	1	1	RT0515314	Resistor, 3KΩ ±5% 1/4W

REF DESIG.	QTY				PARTS NO.	DESCRIPTION
	U	C	E	N		
R821	1	1	1	1	RT0536214	Resistor, 3.6KΩ ±5% 1/4W
R822	1	1	1	1	RT0524314	Resistor, 3.6KΩ ±5% 1/4W
R823	1	1	1	1	RC0000012	Resistor, 0Ω
C801	1	1	1	1	DK1810351	Ceramic Cap., 0.01μF 500V
C802	1	1	1	1	DK1810351	Ceramic Cap., 0.01μF 500V
C803	1	1	1	1	EB1080631	Electrolytic Cap., 1000μF 63V
C804	1	1	1	1	EB1080631	Electrolytic Cap., 1000μF 63V
C805	1	1	1	1	DF1733301	Film Cap., 0.033μF ±20% 50V
C806	1	1	1	1	DF1733301	Film Cap., 0.033μF ±20% 50V
C807	1	1	1	1	EA1070169	Electrolytic Cap., 100μF 16V
C808	1	1	1	1	EA1060509	Electrolytic Cap., 10μF 50V
C809	1	1	1	1	EA1060509	Electrolytic Cap., 10μF 50V
C810	1	1	1	1	EA1070509	Electrolytic Cap., 100μF 50V
C811	1	1	1	1	EA1070509	Electrolytic Cap., 100μF 50V
C812	1	1	1	1	EA1070359	Electrolytic Cap., 100μF 35V
C813	1	1	1	1	EA1070359	Electrolytic Cap., 100μF 35V
C814	1	1	1	1	EA1070359	Electrolytic Cap., 100μF 35V
C815	1	1	1	1	EA1070359	Electrolytic Cap., 100μF 35V
C816	1	1	1	1	EA1070169	Electrolytic Cap., 100μF 16V
C817	1	1	1	1	EA1070169	Electrolytic Cap., 100μF 16V
H801	1	1	1	1	HD2001303	Diode, DS133B (200V)
H802	1	1	1	1	HD2001303	Diode, DS133B (200V)
H803	1	1	1	1	HT403131D	Transistor, 2SD313 (D) or (E)
H804	1	1	1	1	HT205071D	Transistor, 2SB507 (D) or (E)
H805	1	1	1	1	HT313182B	Transistor, 2SC1318 Q or R
H806	1	1	1	1	HT107202B	Transistor, 2SA720 Q or R
H807	1	1	1	1	HT313182B	Transistor, 2SC1318 Q or R
H808	1	1	1	1	HT107202B	Transistor, 2SA720 Q or R
H809	1	1	1	1	HT403131E	Transistor, 2SD313 E
H810	1	1	1	1	HT106842F	Transistor, 2SA684 Q or R
H811	1	1	1	1	HD3002409	Diode, WZ-120
H812	1	1	1	1	HD2000321	Diode, 1S2471
J801 ? J812	1	1	1	1	YP1000113	Plug
R001	1	1	1	1	RT0510314	Resistor, 10KΩ 1/4W ±5%
R002	1	1	1	1	RT0510314	Resistor, 10KΩ 1/4W ±5%
R003	1	1	1	1	GD0520214	Resistor, 2KΩ 1/4W ±5%
R004	1	1	1	1	GD0520214	Resistor, 2KΩ 1/4W ±5%
R005	1	1	1	1	RT0533214	Resistor, 3.3KΩ 1/4W ±5%
R006	1	1	1	1	RT0533214	Resistor, 3.3KΩ 1/4W ±5%
R007	1	1	1	1	GD0530314	Resistor, 30KΩ 1/4W ±5%
R008	1	1	1	1	GD0530314	Resistor, 30KΩ 1/4W ±5%
R009	1	1	1	1	RT0210314	Resistor, 10KΩ 1/4W ±2%
R010	1	1	1	1	RT0210314	Resistor, 10KΩ 1/4W ±2%
R011	1	1	1	1	RT0210314	Resistor, 10KΩ 1/4W ±2%
R012	1	1	1	1	RT0210314	Resistor, 10KΩ 1/4W ±2%
R013	1	1	1	1	RT0210314	Resistor, 10KΩ 1/4W ±2%
R014	1	1	1	1	RT0210314	Resistor, 10KΩ 1/4W ±2%
R015	1	1	1	1	RT0520314	Resistor, 20KΩ 1/4W ±5%
R016	1	1	1	1	RT0520314	Resistor, 20KΩ 1/4W ±5%
R017	1	1	1	1	GJ0522202	Resistor, 2.2KΩ 2W ±5%
R018	1	1	1	1	GJ0522202	Resistor, 2.2KΩ 2W ±5%
R019	1	1	1	1	RK0103030	Variable Res. 10KΩ(B) FM CAL., L
R020	1	1	1	1	RK0103030	Variable Res. 10KΩ(B) FM CAL., R
R021	1	1	1	1	RK0503012	Variable Res. 50KΩ(B) REC., L
R022	1	1	1	1	RK0503012	Variable Res. 50KΩ(B) REC., R
R023	1	1	1	1	RK0503012	Variable Res. 50KΩ(B) PLAY., L

Frequency Response @ 1 Watt Output 5 Hz to 50 kHz \pm 1 dB
 Intermodulation Distortion Less than 0.1%

Preamplifier Section:

Total Harmonic Distortion at Rated Output Level 0.05%
 Intermodulation Distortion (SMPTE) 0.02%

Frequency Response:

Phono (Maximum variation from RIAA Standard) 20 Hz to 20 kHz \pm 0.5 dB
 Tape or Aux 15 Hz to 50 kHz \pm 1 dB

Signal to Noise Ratio (at rated output)

Aux Input (0.775 V input level) 88 dB
 Phono Input (7.5 mV input level) 78 dB

PHONO:

Dynamic Range 111 dB
 NOTE: Dynamic Range is the ratio in dB of the phono overload (300 mV) to equivalent input noise (0.85 μ V).

Equivalent Input Noise 0.85 μ V
 Input Overload @ 1 kHz, 0.1% THD 300 mV

Input Sensitivities (for rated output)

Mic 1.8 mV
 Phono 1.8 mV
 Tape or Aux 180 mV
 Main In 1.5 V

Input Impedances:

Mic 10 k-ohms
 Phono 47 k-ohms
 Tape or Aux 100 k-ohms
 Main In 75 k-ohms

Tape Output Level

(Ref.: 7.75 mV @ phono input) 775 mV

GENERAL:

Power Requirements 110, 120, 220, 240V AC 50 Hz
 Idling Power Consumption 30 Watts (Nominal)
 Consumption at Rated Power 300 Watts (Nominal)
 Maximum Power Consumption 480 Watts (Nominal)
 Cabinet Dimensions-Height 14.4 cm
 Width 37.6 cm
 Depth 30.1 cm
 Weight 14.8 kg

TECHNICAL SPECIFICATIONS

Amplifier Section:

RATED POWER OUTPUT	75 WATTS PER CHANNEL, CONTINUOUS AVERAGE POWER, BOTH CHANNELS DRIVEN.
POWER BAND	20 Hz to 20 kHz
TOTAL HARMONIC DISTORTION	0.1%
LOAD IMPEDANCE	8 OHMS

Frequency Response @ 1 Watt Output	5 Hz to 50 kHz ± 1 dB
Intermodulation Distortion	Less than 0.1%

Preamplifier Section:

Total Harmonic Distortion at Rated Output Level	0.05%
Intermodulation Distortion (SMPTE)	0.02%
Frequency Response	
Phone (Maximum variation from RIAA Standard)	20 Hz to 20 kHz ± 0.5 dB
Tape or Aux	15 Hz to 50 kHz ± 1 dB
Signal to Noise Ratio (at rated output)	
Aux Input (0.775 V input level)	88 dB
Phono Input (7.75 mV input level)	78 dB

PHONO:

Dynamic Range	111 dB
NOTE: Dynamic Range is the ratio in dB of the phone overload (300 mV) to equivalent input noise (0.85 μ V).	

Equivalent Input Noise	0.85 μ V
Input Overload @ 1 kHz, 0.1% THD	300 mV
Input Sensitivities (for rated output)	
Mic	1.8 mV
Phono	1.8 mV
Tape or Aux	180 mV
Main In	1.5 V
Input Impedances	
Mic	10 k-ohms
Phono	47 k-ohms
Tape or Aux	100 k-ohms
Main In	75 k-ohms
Tape Output Level	
(Ref.: 7.75 mV @ phono input)	775 mV

GENERAL:

Power Requirements	120 V AC 50/60 Hz (US & Canadian Models)
Idling Power Consumption	30 Watts (Nominal)
Consumption at Rated Power	300 Watts (Nominal)
Maximum Power Consumption	480 Watts (Nominal)
Cabinet Dimensions: Height	5-4/3 inches
Width	15-3/8 inches
Depth	12-3/8 inches
Weight	33 lbs.

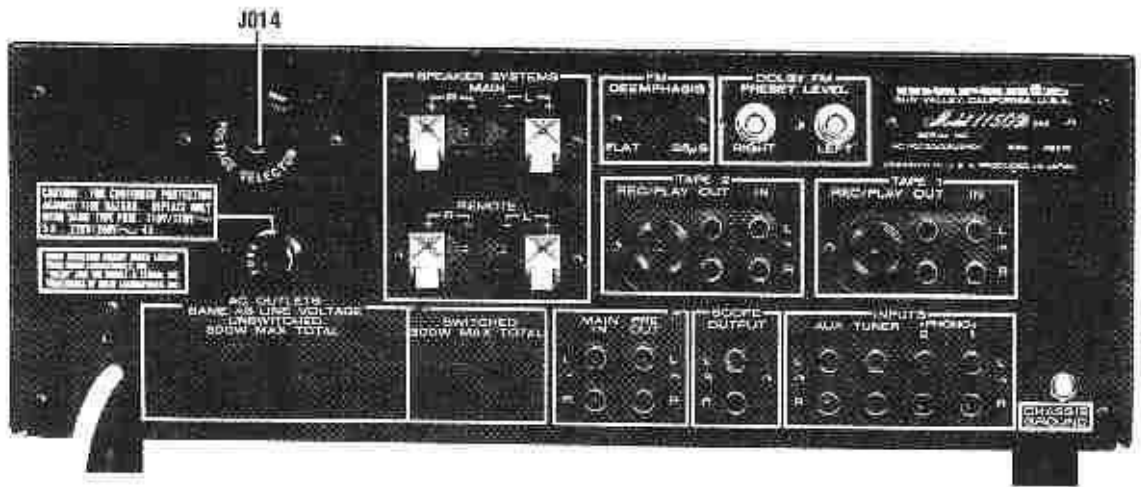


Figure 35. Rear Panel Adjustments and Facilities Locations for European Model

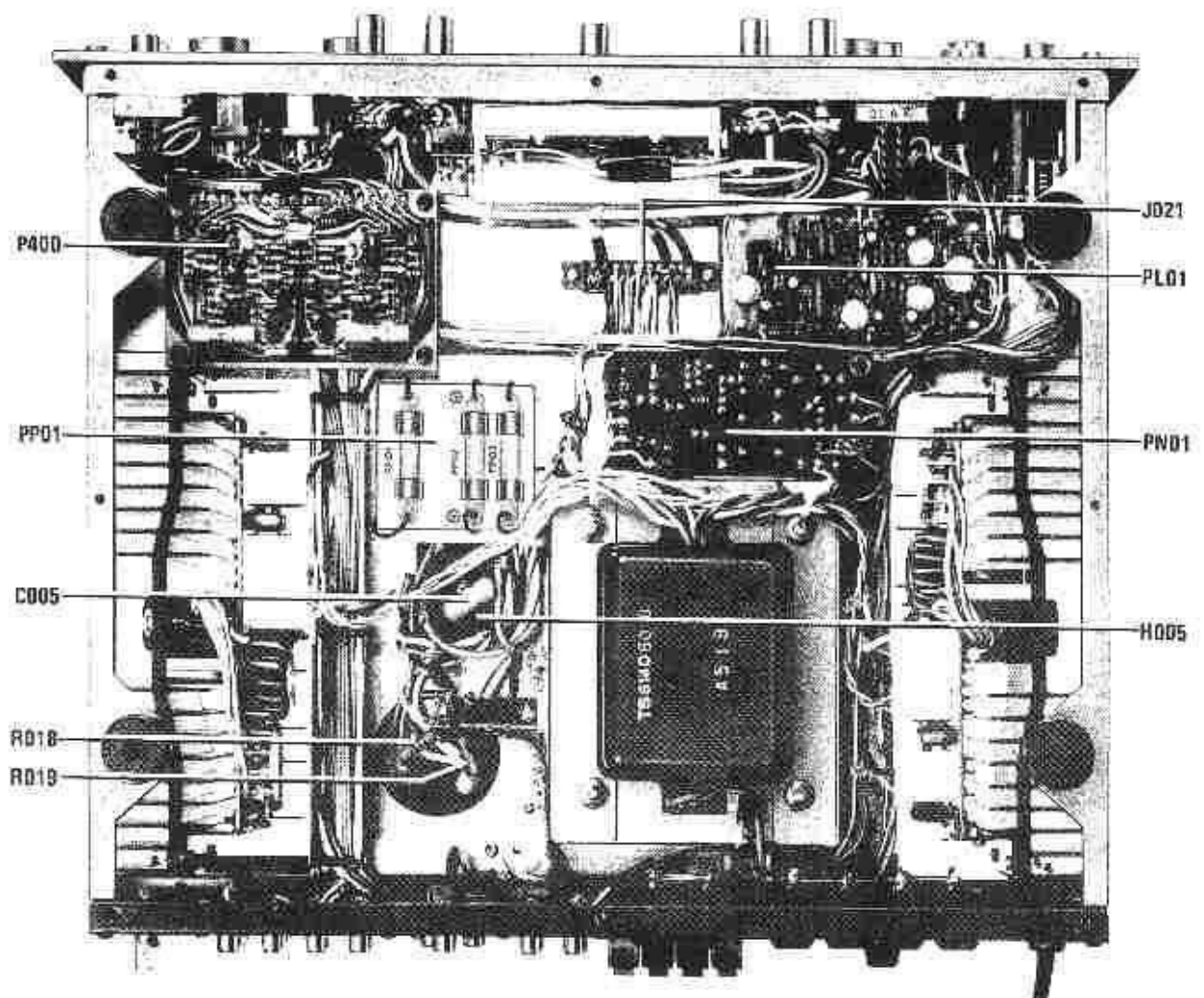


Figure 36. Main Chassis Component Locations (Bottom View) for European Model

VOLTAGE CONVERSION

This Model is equipped with a universal power transformer to permit operation at 110, 120, 220 and 240 V AC 50/60 Hz.

To convert the unit to the required voltage, set the plug as illustrated so that you can adjust the voltage as required.

CAUTION: DISCONNECT POWER SUPPLY CORD FROM AC OUTLET BEFORE CONVERTING VOLTAGE.

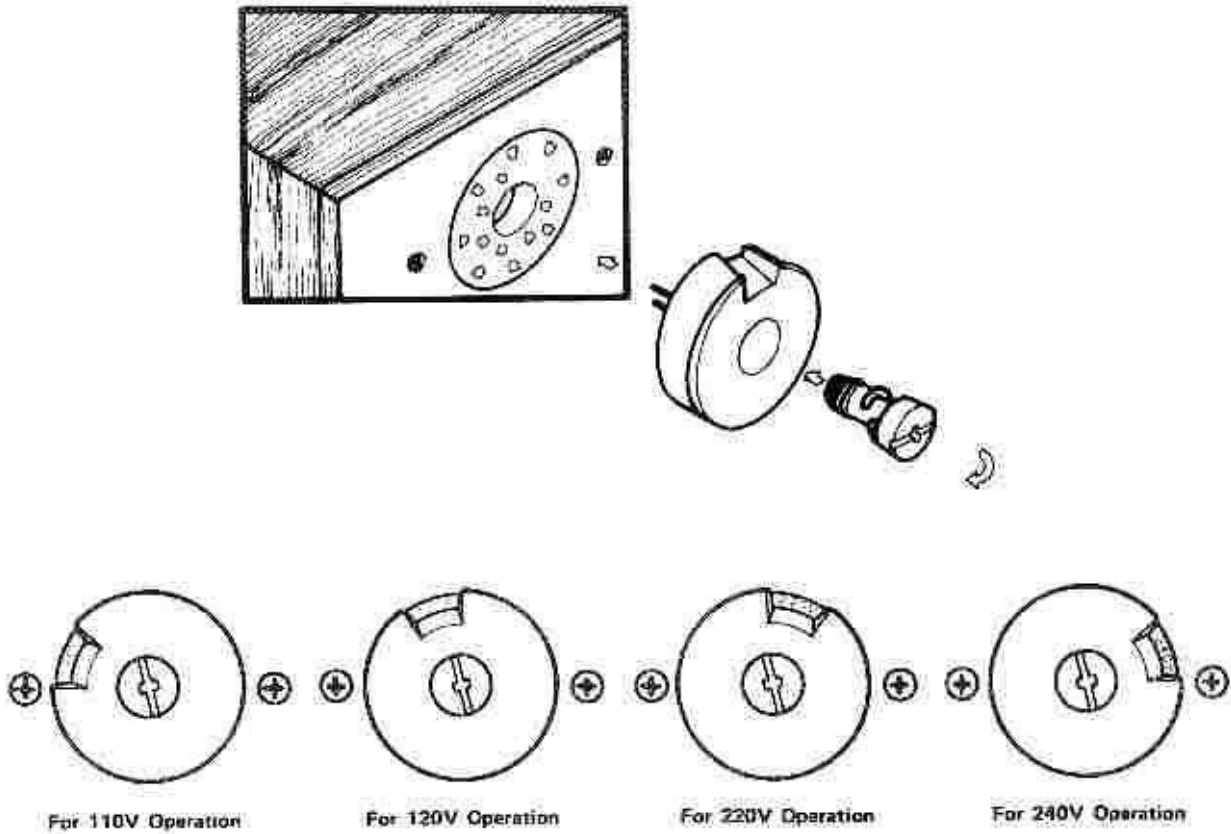


Figure 37. Voltage Conversion Chart